

Heavy Duty Valves

Series 140, 200, 920, 5620

Patent# 2.696.219

Features

- ▶ Original Shear-Seal® technology
- ▶ High velocity flow
- ▶ Tolerates contaminants
- ▶ Low handle load at high pressures
- ▶ Spring return option
- ▶ Low pressure drop

Applications

- ▶ Land-based and offshore drilling equipment
- ▶ Steel mills
- ▶ Nitrogen charging panels
- ▶ Refineries and chemical processing plants
- ▶ Power generation facilities



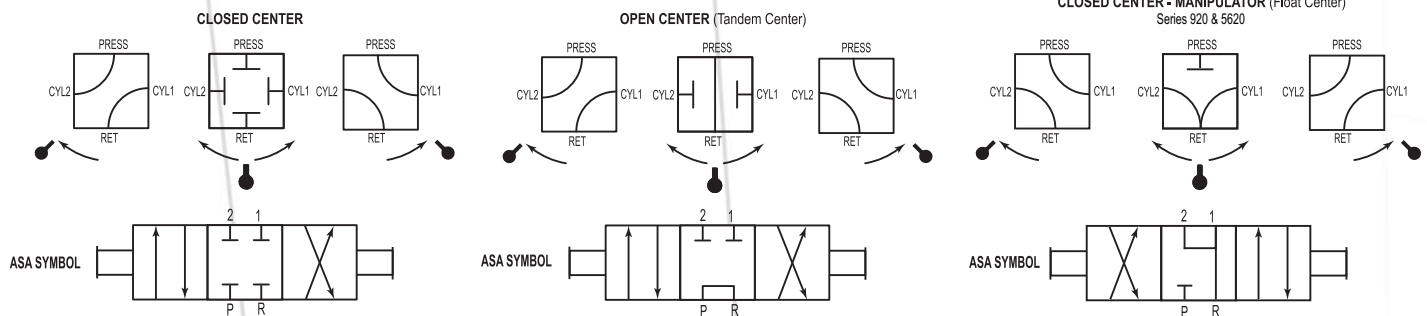
General Specifications*

Working Pressure:	Air (pneumatic) up to 4,000 psi (276 bar) hydraulic oil or lubricated water up to 6,000 psi (413 bar)
Flow Capacity, Cv:	See table
Back Pressure:	Must not exceed 250 psi (17.2 bar) at return port for satisfactory operation
Pressure Drop:	14 psi (0.96 bar) at 20 ft/sec See Supplemental Guide for more detailed information
Proof Pressure:	1-1/2 times working pressure except at return port
Burst Pressure:	2-1/2 times working pressure except at return port (3,000 psi [206 bar])

Media Temperature Range:	-40° to +250°F (-40° to +121°C)
Rotor:	400 series stainless steel
Pressure Seals:	Stainless steel
Shaft:	Stainless steel
Body:	Bronze
Housing:	Ductile iron
Standard O-ring:	Buna N, others available
Back-up Rings:	Teflon®

* See product configurator for additional options.

FLOW PATTERNS (viewed from shaft end)



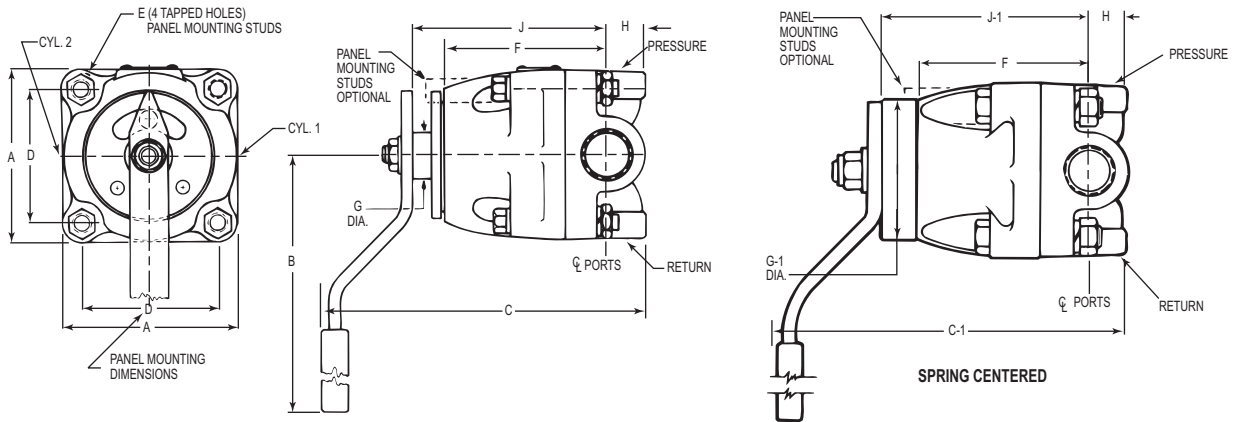
		Flow Capacity (Approx.)					
		Service: Oil and Lubricated Water					
	Main Valve Port Size	20 ft/sec gpm (l/min)	40 ft/sec gpm (l/min)	60 ft/sec gpm (l/min)	Min. Flow Passage Dia.	Cv Factor	Approx. Shipping Weight lbs (kgs)
140/920 Series Valve	1/4"	3 (11)	6 (23)	9 (34)	1/4"	0.95	4.5 (2)
	3/8" & 1/2"	9 (34)	19 (72)	28 (106)	7/16"	3.20	8.5 (3.9)
	3/4" & 1"	25 (95)	50 (189)	75 (284)	23/32"	9.20	21.5 (9.8)
	1-1/2"	57 (217)	114 (433)	171 (650)	1-3/32"	21.00	48.5 (22)
200/562 Series Valve	1/4"	3 (11)	6 (23)	9 (34)	1/4"	0.95	4.5 (2)
	1/2"	5 (19)	10 (38)	15 (57)	5/16"	1.60	8.5 (3.9)
	1"	9 (34)	19 (72)	28 (106)	7/16"	3.20	21.5 (9.8)

Barksdale
CONTROL PRODUCTS

Barksdale, Inc./Barksdale GmbH
A Subsidiary of Crane Co.



Technical Drawings



DIMENSIONS in inches (mm)

Port Size NPT	A	B	C	C-1	D	E	F	G Dia.	G-1 Dia.	H	J	J-1
1/4"	2.6 (66.0)	5 (127.0)	4.7 (119.4)	4.87 (124)	1.8 (48.3)	3/8 - 16 NC	2.6 (66.0)	0.7 (17.8)	1.9 (48.3)	0.6 (15.2)	2.9 (73.7)	3.1 (79.3)
3/8" & 1/2"	3.3 (83.8)	7.0 (177.8)	6.8 (173)	6.8 (173)	2.4 (61.0)	3/8 - 16 NC	3.5 (88.9)	1.1 (27.9)	2.6 (66.0)	0.7 (17.8)	4.0 (101)	3.9 (99.1)
3/4" & 1"	4.6 (116.8)	10.0 (254.0)	8.7 (221.0)	9.9 (251.5)	3.6 (91.4)	1/2 - 13 NC	4.8 (121.9)	1.3 (33.0)	3.6 (91.4)	1.0 (25.4)	5.2 (132.1)	6.4 (162.6)
1-1/2" *	6.8 (172.7)	12.0 (304.8)	10.5 (266.7)	11.8 (299.7)	5.3 (134.6)	3/4 - 10 NC	6.2 (157.5)	1.3 (33.0)	3.6 (91.4)	1.5 (38.1)	6.5 (165.1)	7.8 (198.1)

* 1 1/2" available in 140 and 920 Series only

Product Configurator

Example: 20 3 P 6 W C 3

Series

- 14 Basic 140 series valve (3,000 psi)
- 20 Basic 200 series valve (6,000 psi)
- 92 Basic 920 series valve (3,000 psi manipulator)
- 562 Basic 5620 series valve (6,000 psi manipulator)

Port Size

- 1 1/4" NPT ports
- 2 3/8" NPT ports (Series 140 & 920 only)
- 3 1/2" NPT ports
- 4 3/4" NPT ports (Series 140 & 920 only)
- 5 1" NPT ports
- 7 1-1/2" NPT ports (Series 140 & 920 only)

Port Location

- R Regular (side) porting
- P Panel mount with side porting

Pressure Range

- 3 3,000 psi lubricated water or hydraulic, 2,000 psi air (14 & 92 Series)
- 6 6,000 psi lubricated water or hydraulic, 4,000 psi air (20 & 562 Series)

Working Media

- A Air (pneumatic)
- W Lubricated water or hydraulic oil

Flow Pattern

- C Closed center (Series 140, 200)
- O Open center (tandem center) (Series 140, 200)
- Q Manipulator (float center) (Series 920, 5620)

Position

- 3 Three position

Options

- MC Spring centering *
- MS SAE Porting

Options

- See Supplemental Guide for complete list

* For 3/4" & 1" ported valve pressure rating 1,500 psi
Not available on 1-1/2" ported valves