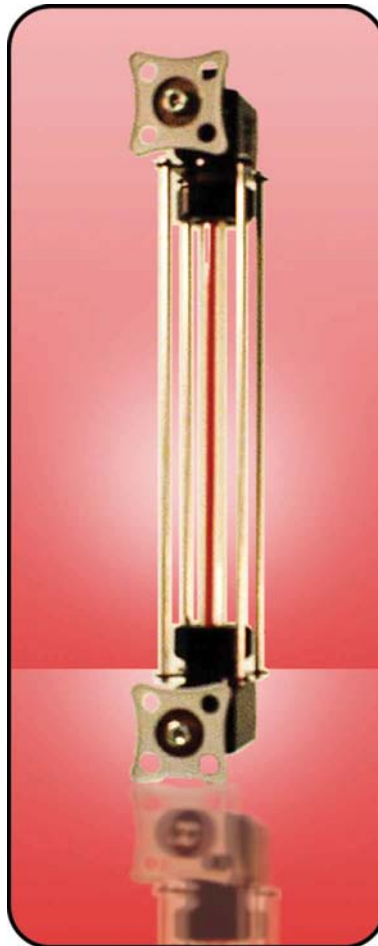


GLASS-TRAC MODEL 1TC TUBULAR GAGE VALVES

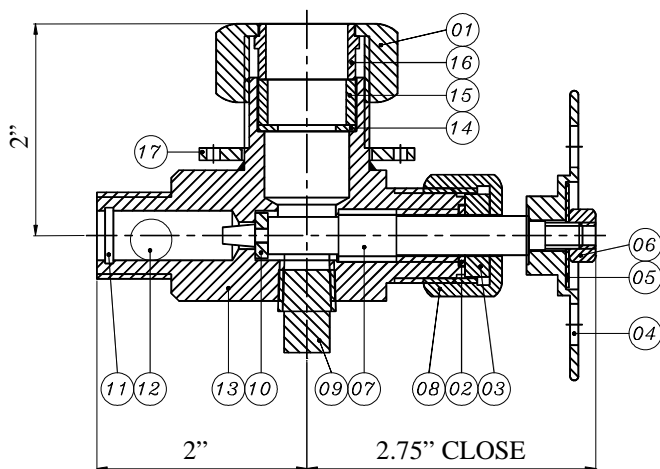
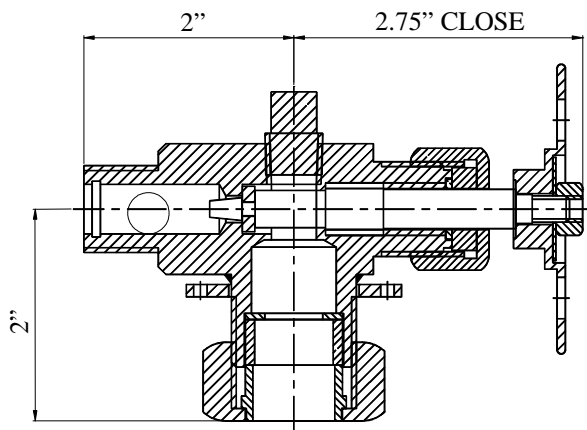
For low pressure water vessels, storage tanks, containers, etc. Glass-Trac provides Type 1TC carbon steel and 316 stainless steel valves for Tubular Gages. These valves are used with 5/8", 1/2" or 3/4" O.D. Pyrex Red Line, High Pressure or Heavy Wall Glass. Each valve contains a Stainless Steel ball check which closes the valve in the event of glass breakage. Each 1TC has either a 1/2" or 3/4" rigid vessel connection, plain closing stem and a straight pattern body. The maximum working pressure is dependent on the length and rated pressure of the glass. The 1TC valve can be used with 4 guard rods.

Tubular glasses are available in any length and should be cut 2-1/8" shorter than the center to center dimension. Guard rods should be cut 1-1/8" shorter than the center to center dimension. To determine the approximate visible glass deduct 4" from the valves center to center dimension.



Glass-Trac 1TC Part Numbers

| Part Number | Connections | Material |
|---------------|------------------------|--------------|
| 1-209-01-049D | 1/2" x 5/8" O.D. Glass | Carbon Steel |
| 1-209-01-049E | 3/4" x 5/8" O.D. Glass | Carbon Steel |
| 1-209-01-049F | 1/2" x 3/4" O.D. Glass | Carbon Steel |
| 1-209-01-049G | 3/4" x 3/4" O.D. Glass | Carbon Steel |
| 1-209-01-049H | 1/2" x 5/8" O.D. Glass | 316SS |
| 1-208-01-049I | 3/4" x 5/8" O.D. Glass | 316SS |
| 1-209-01-049J | 1/2" x 3/4" O.D. Glass | 316SS |
| 1-209-01-049K | 3/4" x 3/4" O.D. Glass | 316SS |



| S. No. | DESCRIPTION | CS | SS |
|--------|---------------------|----------|----------|
| 1 | GLASS PACKING NUT | STEEL | SS-316 |
| 2 | STEM PACKING WASHER | STEEL | SS-316 |
| 3 | STEM PACKING | GRAFOIL | GRAFOIL |
| 4 | HANDWHEEL | ZINC | ZINC |
| 5 | TAG | ALUMINUM | ALUMINUM |
| 6 | STEM NUT | CS | CS |
| 7 | STEM | 304-SS | SS-316 |
| 8 | PACKING NUT | STEEL | SS-316 |
| 9 | PLUG | STEEL | SS-316 |
| 10 | VALVE WASHER | TEFLON | TEFLON |
| 11 | BALL CHECK STOP | SS-304 | SS-304 |
| 12 | BALL CHECK | SS-316 | SS-316 |
| 13 | BODY | A-105 | SS-316 |
| 14 | BOTTOM WASHER | STEEL | SS-304 |
| 15 | GLASS PACKING | EPOM | EPOM |
| 16 | PACKING GLAND | STEEL | SS-316 |
| 17 | MOUNTING CLAMP | STEEL | SS-316 |