

# 26-1100 Series

## Regulators - Pressure Reducing

D26110539X012

### Specifications

For other materials or modifications, please consult TESCOM.

#### OPERATING PARAMETERS

Pressure rating per criteria of ANSI/ASME B31.3

##### Maximum Inlet Pressure

**Stainless Steel Body (0.25" Orifice):** 10,000 psig / 690 bar

**Stainless Steel Body (0.375" Orifice):** 6000 psig / 414 bar

**Aluminum Body:** 6000 psig / 414 bar

**Brass Body:** 6000 psig / 414 bar

##### Outlet Pressure Ranges

To maximum inlet

##### Design Proof Pressure

150% maximum rated

##### Leakage

Bubble-tight

##### Operating Temperature

-40°F to 165°F / -40°C to 74°C

##### Flow Capacity

**0.25" Orifice:**  $C_v = 0.46$

**0.375" Orifice:**  $C_v = 1.30$

#### MEDIA CONTACT MATERIALS

##### Body

303 Stainless Steel, 316 Stainless Steel, Aluminum, or Brass

##### Diaphragm

Buna-N

##### O-Rings

Buna-N

##### Back-up Rings

PTFE

##### Seat

CTFE

##### Retaining Ring

15-7 Stainless steel

##### Valve Cap

17-4 Stainless steel

##### Remaining Parts

300 Series Stainless Steel

#### OTHER

##### Cleaning

CGA 4.1 and ASTM G93

##### Weight (without gauges)

**Stainless Steel:** 10 lbs / 4.5 kg

**Aluminum:** 4 lbs / 1.8 kg



TESCOM 26-1100 Series is a dome load, high flow pressure reducing regulator.

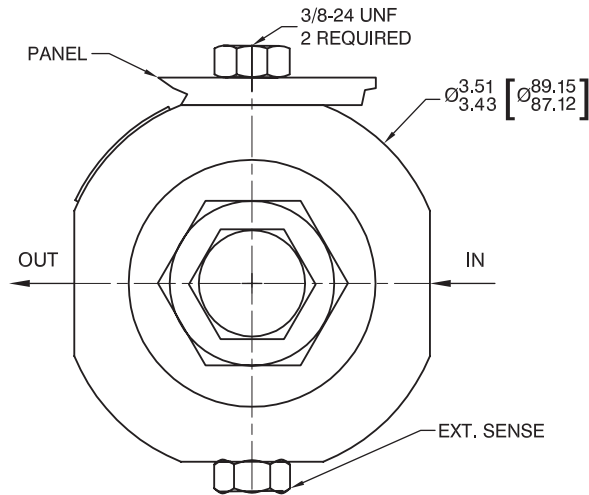
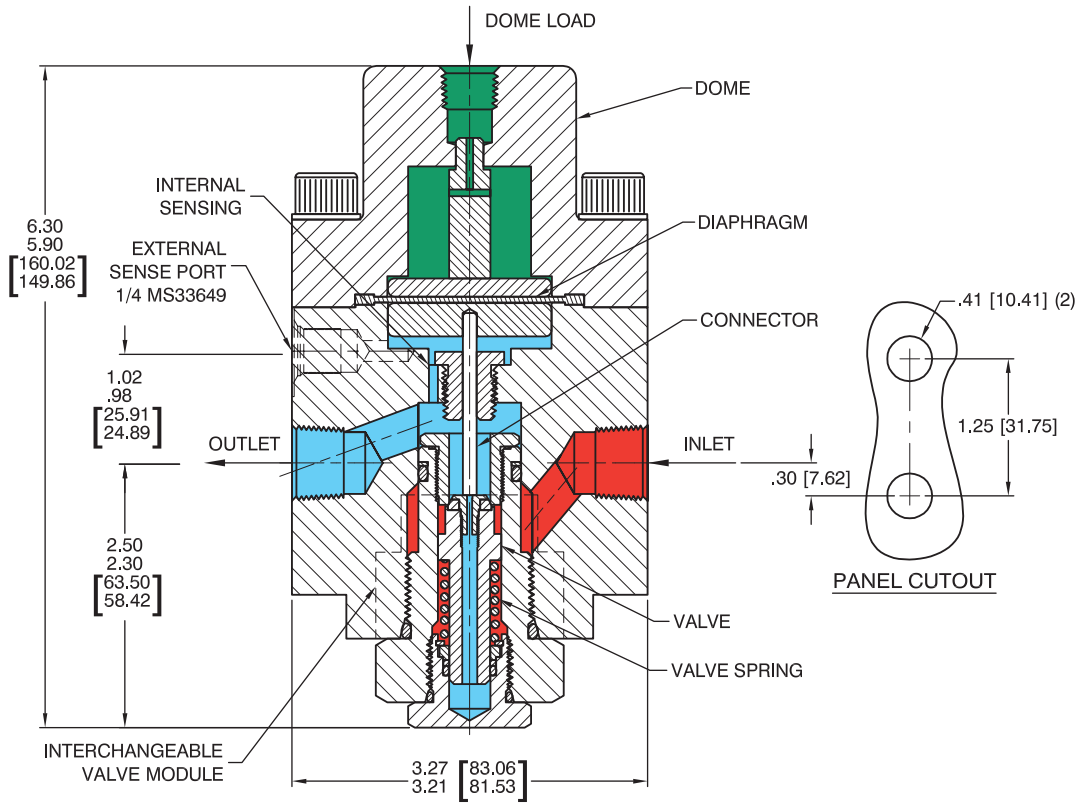
### Applications

- Pneumatic test consoles
- R&D laboratories

### Features and Benefits

- Constant outlet pressures with variable inlet pressures
- Balanced main valve to reduce seat load which insures longer seat life
- Wide flow range capability
- Low droop; low lock-up
- Rapid response time
- Mounts in any position
- Two orifice sizes are available: 0.25" and 0.375" diameter

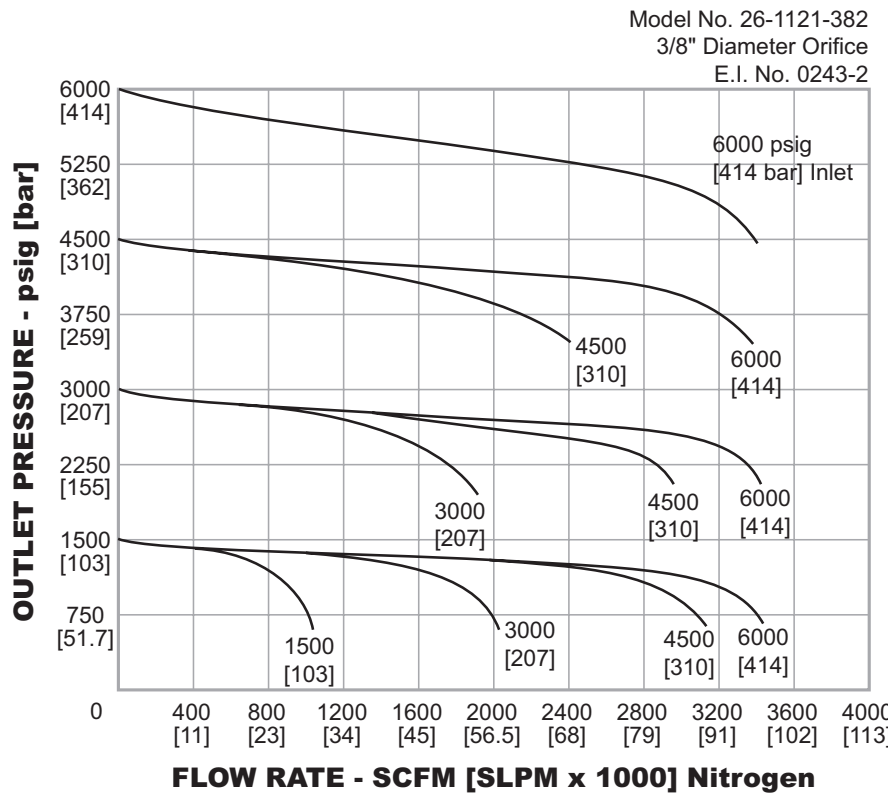
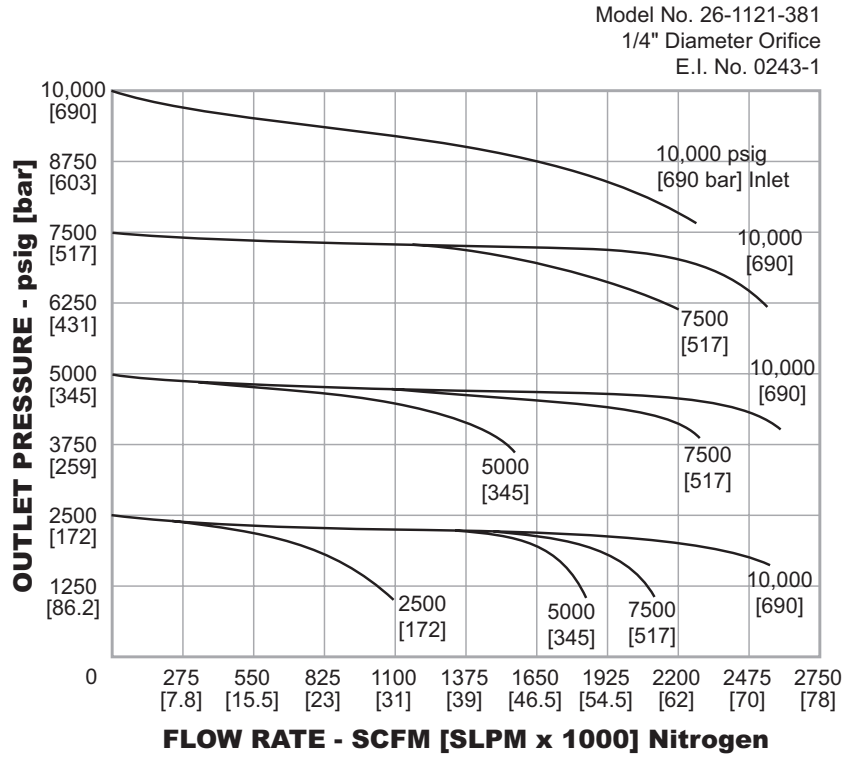
26-1100 Series Regulator Drawing



All dimensions are reference & nominal  
Metric [millimeter] equivalents are in brackets

## 26-1100 Series Regulator Flow Charts

For more information on how to read flow curves, please refer to the Flow Curves and Calculations document (debul2007x012) in the TESCOM catalog or on [www.tescom.com](http://www.tescom.com).



## 26-1100 Series Regulator Part Number Selector

Repair Kits, Accessories & Modifications may be available for this product. Please contact TESCOM for more information.

Example for selecting a part number:

| BASIC SERIES | BODY MATERIAL   | LOADING METHOD        | INLET AND OUTLET PORT TYPE         | DOMES PORT                                | INLET AND OUTLET PORT SIZE | INNER VALVE SIZE                        |
|--------------|---|-----------------------|------------------------------------|---|----------------------------|---|
| 26-11        | 1 – Brass<br>2 – 303 Stainless Steel<br>3 – Aluminum 2024-T351<br>6 – 316 Stainless Steel | 1 – Externally loaded | 1 – SAE<br>2 – NPTF<br>3 – MS33649 | 1/4" MS33649<br>1/4" NPTF<br>1/4" MS33649 | 6 – 3/8"<br>8 – 1/2"       | 1 – 0.25" Orifice<br>2 – 0.375" Orifice |



**WARNING!** Do not attempt to select, install, use or maintain this product until you have read and fully understood the *TESCOM Safety, Installation and Operation Precautions*.

D26110539X012 © 2012 Emerson Process Management Regulator Technologies, Inc. All rights reserved. 05/2012.  
 Tescom, Emerson Process Management, and the Emerson Process Management design are marks of one of the Emerson Process Management group of companies. All other marks are the property of their respective owners.