

26-2000 Series

Regulators - Pressure Reducing

D26201821X012

Specifications

For other materials or modifications, please consult TESCOM.

OPERATING PARAMETERS

Pressure rating per criteria of ANSI/ASME B31.3

Maximum Inlet Pressure

Brass: 6000 psig / 413 bar

Stainless Steel: 10,000 psig / 690 bar

Stainless Steel (Spring and Air Load only): 15,000 psig / 1034 bar

Outlet Pressure Ranges

See Part Number Selector

Design Proof Pressure

150% of rated pressure

Leakage

Non-Metal Seat: Bubble-tight

Metal Seat: 2 drops/minute at 150 SUS at 2500 psig / 172 bar

Operating Temperature

-15°F to 165°F / -26°C to 73°C

Flow Capacity

$C_v = 0.02, 0.06, 0.12, \text{ or } 0.30$

MEDIA CONTACT MATERIALS

Body

316 Stainless Steel or Brass

Seat, Vent, and Main Valve

See Part Number Selector

O-Ring

See Part Number Selector

Back-up Ring

Teflon®

Filter*

26-201XX-XX: Bronze

26-202XX-XX: 300 Series Stainless Steel

Remaining Parts

316 Stainless Steel and 17-4 Stainless Steel

OTHER

Cleaning

CGA 4.1 and ASTM G93

Weight (approximate)

5.5 lbs / 2.5 kg

*no filter with metal seat

Teflon® is a registered trademark of E.I. du Pont de Nemours and Company.



TESCOM 26-2000 Series high pressure, low flow piston sensed regulator is available in dome, spring and air load versions. This regulator comes with segregated captured venting standard with inlet pressure ratings of 6000-15,000 psig / 413-1034 bar.

Applications

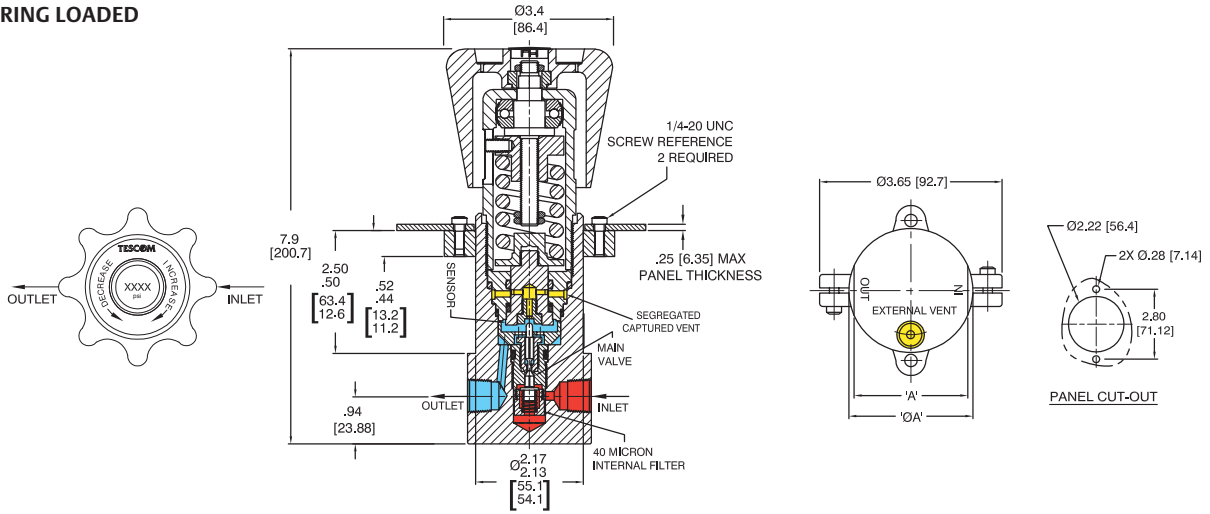
- R&D labs
- Pressure filling
- Calibration testing
- Burst testers
- Component testing
- High pressure hydraulic or pneumatic applications

Features and Benefits

- Segregated captured vent is standard
- Three standard loading methods - spring, dome, and air actuated
- Available with soft and metal-to-metal seating
- Standard 40 micron internal filter (soft seated models) increases service life
- High flow version is available with C_v of 0.30
- An excellent choice to be used with the TESCOM ER5000 Electropneumatic Controller

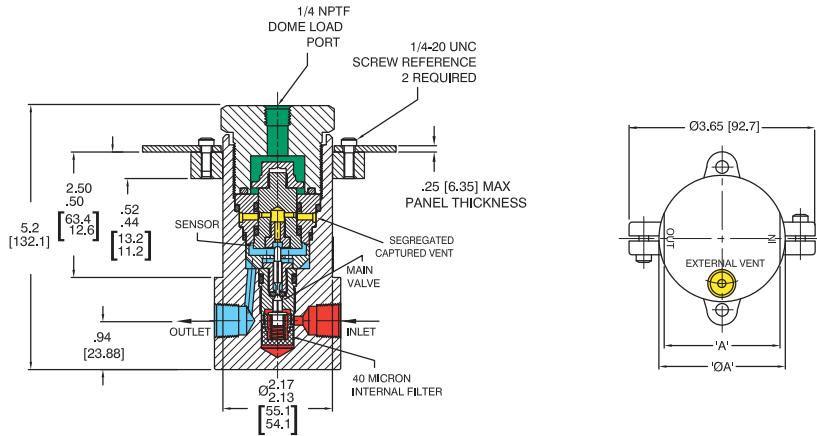
26-2000 Series Regulator Drawings

SPRING LOADED

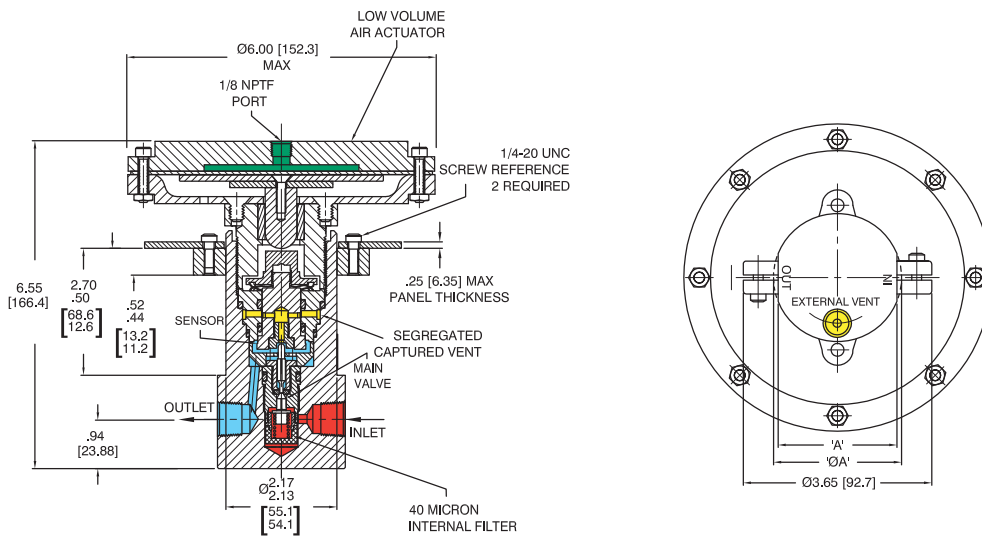


DOME LOADED

INLET & OUTLET PORT	'A'
ALL 1/4 EXCEPT NPTF	2.30
1/4 NPTF	Ø2.48
3/8 NPTF	Ø2.48
ALL 3/8 EXCEPT NPTF	2.90
1/2 MS33649	2.90
1/2 NPTF	Ø3.20



AIR LOADED

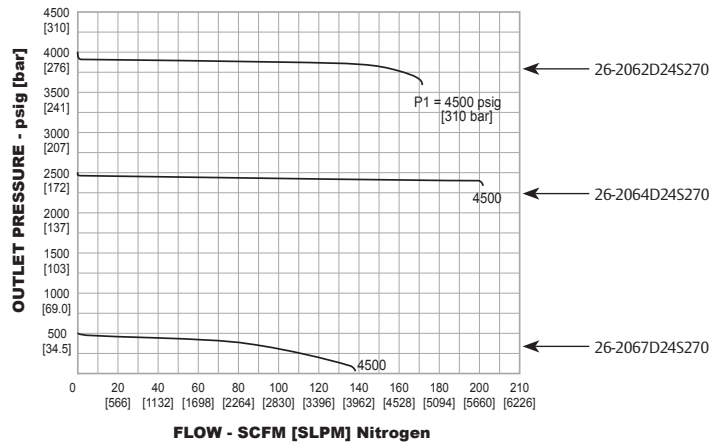


All dimensions are reference & nominal
Metric [millimeter] equivalents are in brackets

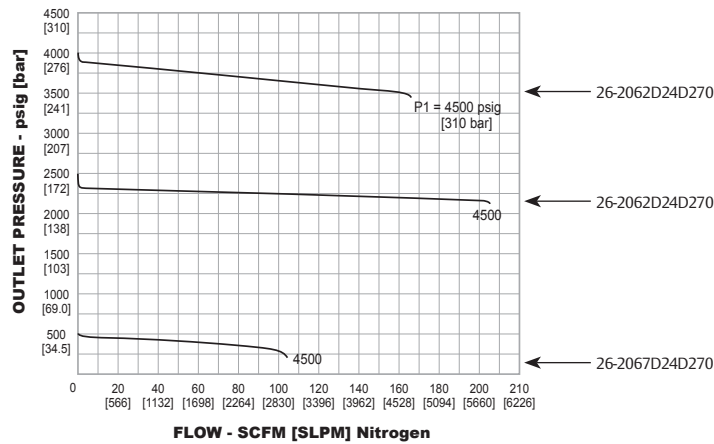
26-2000 Series Regulator Flow Charts

For more information on how to read flow curves, please refer to the *Flow Curves and Calculations* document (debul2007x012) in the TESCOM catalog or on www.tescom.com.

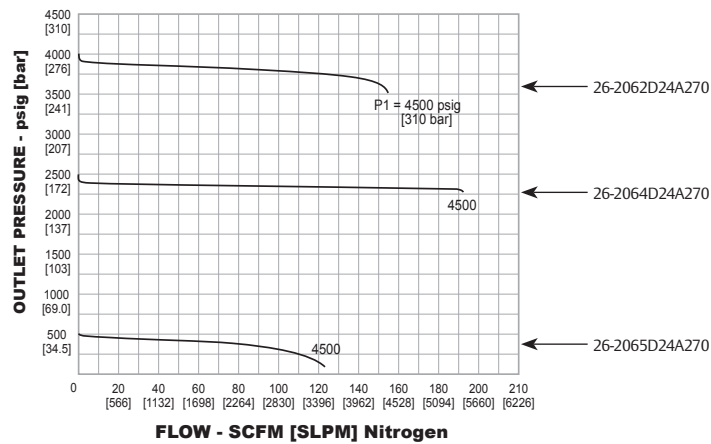
SPRING LOADED



DOME LOADED



AIR LOADED









26-2000 Series Regulator Part Number Selector

Repair Kits, Accessories & Modifications may be available for this product. Please contact TESCOM for more information.

Example for selecting a part number:

26-20 6 1 A 2 4 5 1 7 0

S – Spring load
D – Dome load
A – Air load

BASIC SERIES	BODY MATERIAL	MAXIMUM INLET PRESSURE	OUTLET PRESSURE	SOFT GOODS MATERIAL		INLET AND OUTLET PORT TYPE	VENT PORT	INLET AND OUTLET PORT SIZE	FLOW CAPACITY (C _v)	MAIN VALVE AND VENT SEAT MATERIAL	GAUGE PORT OPTIONS 1/4" NPTF
				O-RING	BACKUP RING						
26-20	1 – Brass	6000 psig 413 bar	Spring Load 1 – 200- 10,000 psig 14-690 bar (Stainless steel body only)	A – Teflon® B – Buna-N (90 durometer)	Teflon® Teflon®	1 – SAE 1/4" SAE 2 – NPTF 1/4" NPTF 3 – MS33649 1/4" MS33649	1/4" SAE 1/4" NPTF	4 – 1/4" 6 – 3/8" 8 – 1/2" ²	1 – .02 (not available for metal seated models)	5 – 17-4 Stainless Steel	0 – None 
	6 – 316 Stainless Steel	10,000 psig 690 bar	14-690 bar (Stainless steel body only)	D – Buna-N (70 durometer)	Teflon®	4 – High pressure/ Aminico	1/4" NPTF			7 – Vespel® 8 – Peek	1 – One Outlet Gauge at 90° 
	9 – 316 Stainless Steel	15,000 psig ¹ 1034 bar	6000 psig 3.4-413 bar	2 – 50- 6000 psig 3.4-413 bar	T – Viton® U – Urethane V – Kalrez® Z – E.P	Teflon® Teflon® Teflon® Teflon®	6 – Medium pressure/ Slimline	1/4" NPTF	2 – 0.06 3 – 0.12 ³ (metal and/or Vespel® seat only)		2 – Two Gauge Ports at 60° 
			25- 4000 psig 1.7-275 bar	3 – 25- 4000 psig 1.7-275 bar							3 – Two Gauge Ports at 60° (left hand inlet) 
			15- 2500 psig 1-172 bar	4 – 15- 2500 psig 1-172 bar							4 – Two Gauge Ports at 90° 
			10- 1500 psig 0.7-103 bar	5 – 10- 1500 psig 0.7-103 bar							5 – One Outlet Ports at 90° (left hand inlet) 
			5-800 psig 0.35-55 bar	6 – 5-800 psig 0.35-55 bar							
			5-500 psig 0.35-35 bar	7 – 5-500 psig 0.35-35 bar							
			Dome Load	1 – 200- 10,000 psig 14-690 bar (Stainless Steel body only)							
				2 – 50- 6000 psig 3.4-413 bar							
				7 – 5-500 psig 0.35-35 bar							
				Air Load							
			1 – 200- 10,000 psig 14-690 bar (Stainless Steel body only)								
			2 – 50- 6000 psig 3.4-413 bar								
			4 – 15- 2500 psig 1.7-172 bar								
			5 – 10- 1500 psig 0.7-103 bar								

1. 15,000 psig / 1034 bar inlet requires a CTFE back-up ring on main valve.
2. 1/2" not available in High (Aminco) or Medium (Slimline) pressure ports.
3. Not available with 15,000 psig / 1034 bar inlet.



WARNING! Do not attempt to select, install, use or maintain this product until you have read and fully understood the TESCOM Safety, Installation and Operation Precautions.