

Type 380/390SS

Large Flow Capacity Stainless Steel Filter Regulator and Regulator

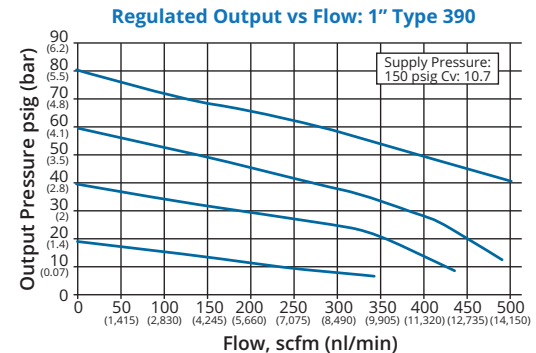
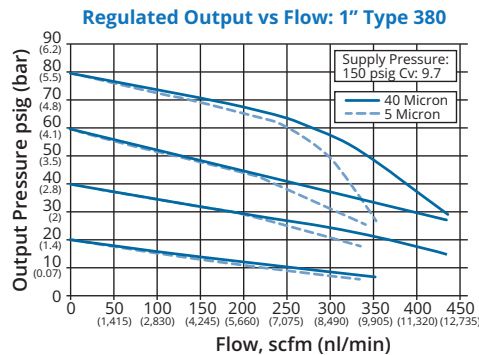
Type-380SS Stainless Steel Filter Regulator

Type-390SS Stainless Steel Regulator

The Type 380/390SS stainless steel filter regulator series is designed for demanding applications that require stable, accurate pressure regulation and high flow capacity. Corrosion resistant 316L stainless steel housing, trim and filter assemblies make this series adaptable to offshore and other harsh environments. Large porting ensures stable and repeatable output pressures, even during wide supply pressure variations from large volume valve actuators. Oversized valving helps the units achieve high flow rates with minimal pressure drop.

Features

- All 316L Stainless Steel Construction
- High Flow Capacity
- 3/4" or 1" NPT Porting
- 2 Gauge Ports
- Automatic Drain Option
- Soft Seat Self Relieving Design



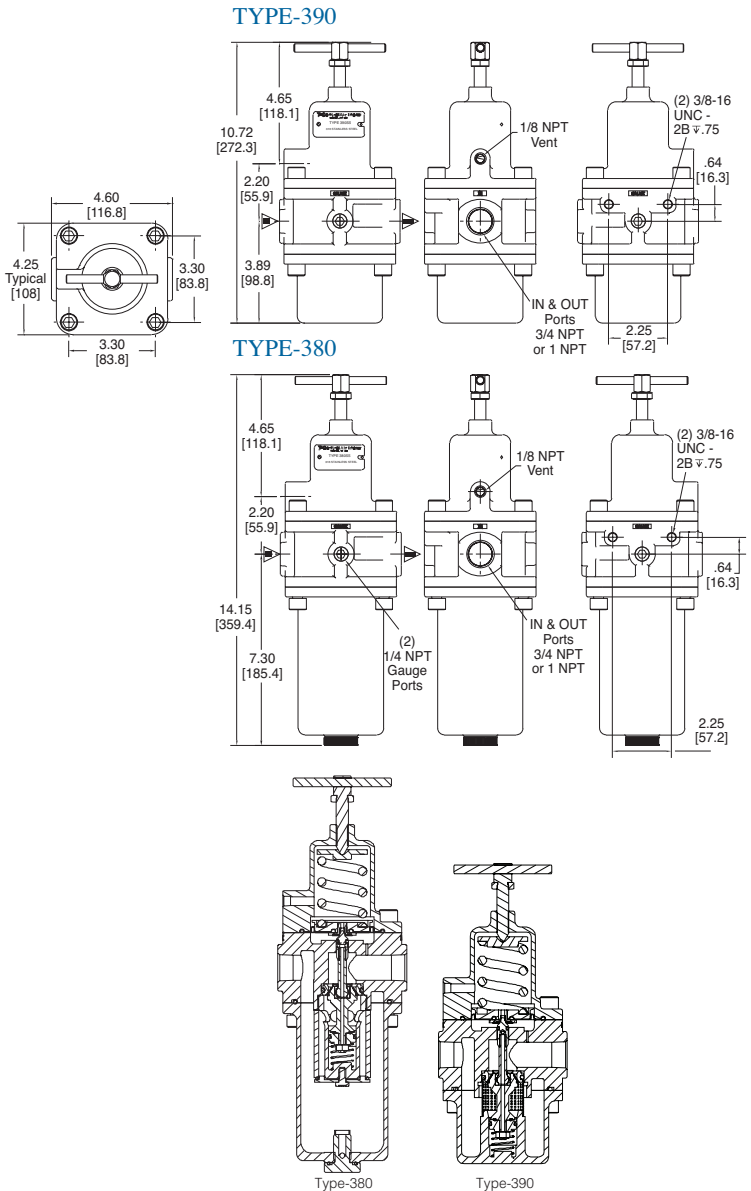
Type 380/390SS

Clean, stable performance for tough, dirty process control

Type 380/390SS Dimensions

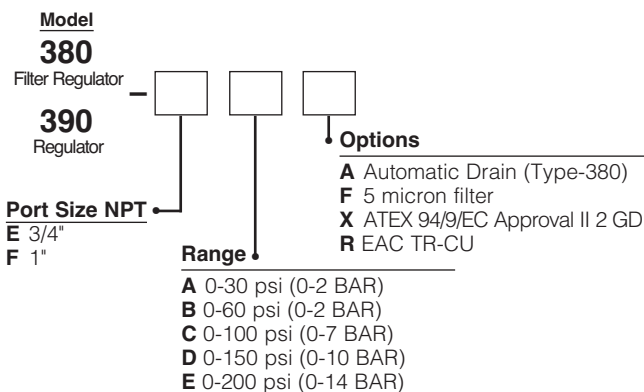
S P E C I F I C A T I O N S

Output Range psig (bar)	0-30 (0-2), 0-60 (0-4), 0-100 (0-7), 0-150 (0-10), 0-200 (0-14)
Maximum Supply Pressure	290 psig (20.0 BAR) Autodrain: 150 psig (10 BAR)
Maximum Flow Coefficients (Cv)	Type-380: 3/4": 9.0; 1": 10.0 Type-390: 3/4": 10.0; 1": 11.0
Exhaust Capacity	2.0scfm (56.5 NL/min), downstream pressure 10 psig (0.7 bar) above set point
Air Consumption	4 scfh (2 NL/min) maximum
Operating Temperatures	-40°F to +200°F (-40°C to +93°C) Autodrain: 32°F to 200°F (0° to 93°C)
Operating Media	Air, inert gas, sweet (natural gas)
Porting	Inlet/Outlet: 3/4" NPT or 1" NPT Gauge (2): 1/4" NPT Exhaust: 1/8" NPT
Filtration	Type-380: 40 micron standard or 5 micron option Type-390: N/A
Weight	Type-380: 16.6 lbs (7.5 kg) Type-390: 14.5 lbs (6.6 kg)
Materials	316L stainless steel: body, bonnet, filter Nitrile: diaphragm, seals Inconel: valve spring



Ordering Information

Use this coding system to order



Accessories	Part Number
1/8" NPT Exhaust Screen Fitting	445-761-005
Gauges	Range psi (BAR)
	0-30 (0-2) 445-725-019
	0-60 (0-4) 445-725-020
	0-160 (0-10) 445-725-021

Warranty

ControlAir, Inc. products are warranted to be free from defects in materials and workmanship for a period of eighteen months from the date of sale, provided said products are used according to ControlAir, Inc. recommended usages. ControlAir, Inc.'s liability is limited to the repair, purchase price refund, or replacement in kind, at ControlAir, Inc.'s sole option, of any products proved defective. ControlAir, Inc. reserves the right to discontinue manufacture of any products or change products materials, designs or specifications without notice. Note: ControlAir does not assume responsibility for the selection, use, or maintenance of any product. Responsibility for the proper selection, use, and maintenance of any ControlAir product remains solely with the purchaser and end user.



8 Columbia Drive / Amherst, NH 03031 USA
 Website: www.controlair.com
 Email: sales@controlair.com
 603-886-9400 FAX 603-889-1844

An ISO-9001:2008 Certified Company

