

Type 400

General Service Pressure Regulator

Reliable, all purpose air regulation

The Control Air Type 400 is a general purpose regulator designed to provide reliable performance under variable operating conditions. This quality unit is ideal as an economical alternative for control of industrial process applications. The regulation characteristics of the Type 400 have been proven to be superior to comparable competitive units. Durable materials and corrosion resistant construction provide reliable operation in harsh industrial environments.

FEATURES

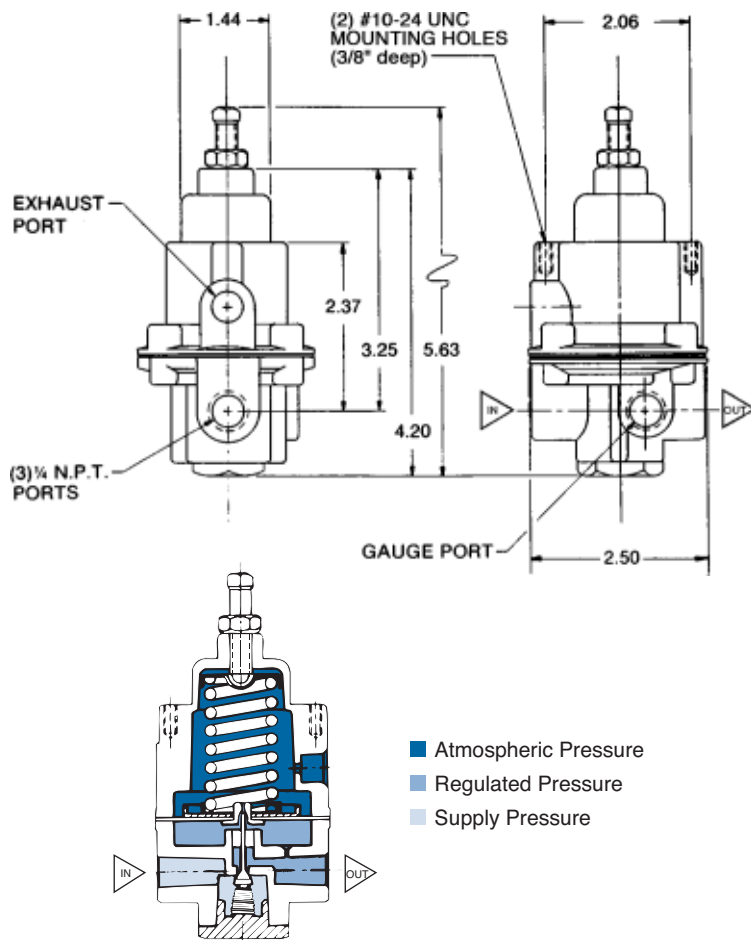
- **Stable Output and Reliability**
Consistently meets control requirements under changing operating conditions
- **Corrosion Resistant Construction**
Die-cast housings are finished with irridite and epoxy paint
- **Low Droop at High Flow Levels**
Aspirator design helps maintain set pressure and minimize “droop” at higher flow levels
- **High Quality Level**
Each regulator receives a pressure, leak and flow test at the factory prior to shipment
- **Low Cost**
This economical unit is ideal for high volume OEM applications

Specifications

Flow Capacity	20 SCFM (570 NI/min) at 100 psig (6.8 BAR) supply - 20 psig (1.4 BAR) outlet
Exhaust Capacity	0.1 SCFM (2.8 NI/min)-downstream pressure 5 psig (0.3 BAR) above set point
Sensitivity	1" (2.5 cm) of water
Effect of Supply Pressure Variation	Less than 0.2 psig (0.01 BAR) for 25 psi (1.7 BAR) change
Max. Supply Pressure	250 psig (17 BAR)
Air Consumption	Less than 6 SCFH (170 NI/min)
Output Range	0-10 psig (0-0.7 BAR), 0-30 psig (0-2 BAR), 0-60 psig (0-4 BAR), 0-120 psig (0-8 BAR)
Port Size	1/4" NPT
Mounting	Pipe or panel
Materials	Body: diecast aluminum alloy Diaphragm: nitrile elastomer and nylon fabric Trim: brass, zinc plated steel, acetal
Weight	0.84 lb (0.38 kg)
Temperature Limits	0° to 160°F (-18° to 71°C)



Type 400 Dimensions



Type 400 Ordering Information

Type	Port Size (NPT)	Output Range	
		psi	BAR
400-BD	1/4"	0-10	0-0.7
400-BA	1/4"	0-30	0-2
400-BB	1/4"	0-60	0-4
400-BC	1/4"	0-120	0-8

Options Add proper letter onto end of model number

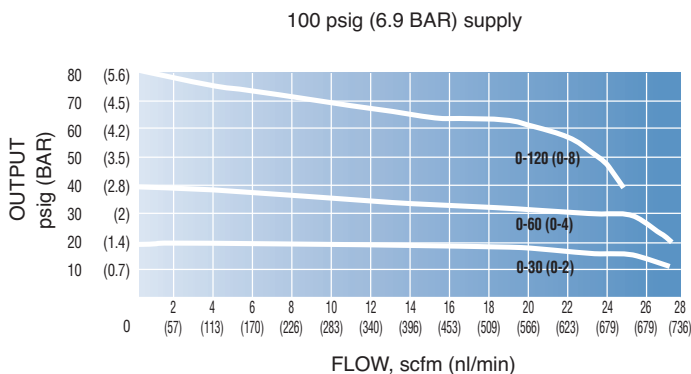
- J - Low Temperature:** temperature range -40° to 125°F (-40° to 81°C)
- K - Knob:** to replace square head adjust screw
- N - Non-Relieving:** for constant flow or downstream pressure relief applications
- E - Tapped Exhaust:** allows captured exhaust 1/4" NPT port
- T - Tamperproof Cover:** prevents casual adjustment of output pressure
- S - Stainless Steel Adjust Screw:** hex head stainless steel adjust screw for maximum corrosion resistance
- V - Viton Elastomers:** used where elements in the supply air are particularly destructive to standard Buna-N pintle and diaphragm material
- X - ATEX:** 94/9EC Approval II 2 G D

Accessories

- G - Pressure Gauge:** 2" face, back mounted. When specified with the regulator the correct range will be supplied.

Range	P/N
0-15	446-725-003
0-30	446-725-004
0-60	446-725-001
0-160	446-725-002
- B - Mounting Bracket:** zinc-plated steel bracket for side mounting
P/N: 446-707-028

Flow Characteristics



Warranty

ControlAir, Inc. products are warranted to be free from defects in materials and workmanship for a period of eighteen months from the date of sale, provided said products are used according to ControlAir, Inc. recommended usages. ControlAir, Inc.'s liability is limited to the repair, purchase price refund, or replacement in kind, at ControlAir, Inc.'s sole option, of any products proved defective. ControlAir, Inc. reserves the right to discontinue manufacture of any products or change products materials, designs or specifications without notice. Note: ControlAir does not assume responsibility for the selection, use, or maintenance of any product. Responsibility for the proper selection, use, and maintenance of any ControlAir product remains solely with the purchaser and end user.



8 Columbia Drive / Amherst, NH 03031 USA
 Website: www.controlair.com
 Email: sales@controlair.com
 603-886-9400 FAX 603-889-1844

