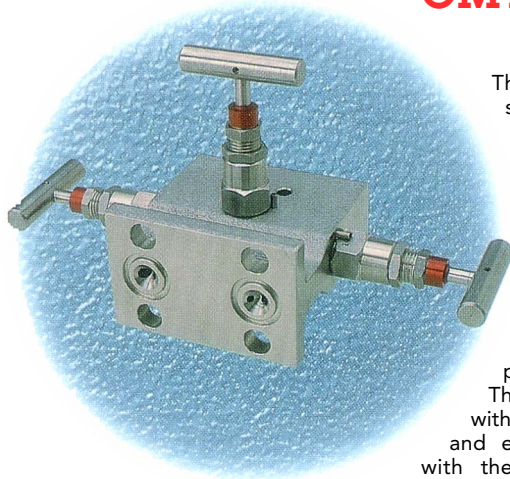
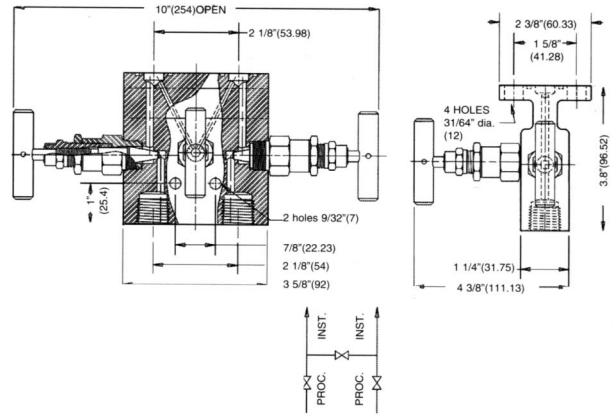


CM10-3 THREE VALVED SINGLE FLANGED MANIFOLD



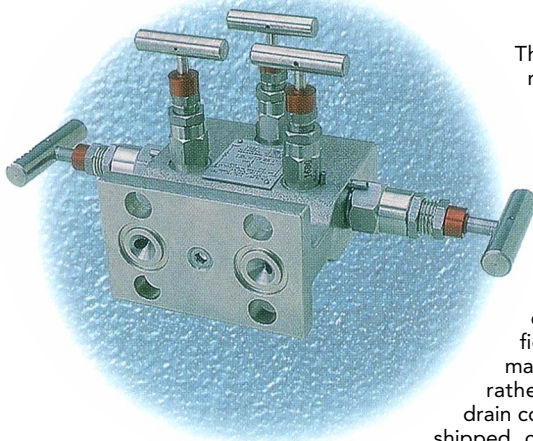
The CM10-3 three valve, single flanged manifold bolts directly to the differential pressure transmitter. This unit is used in applications where close coupling to the orifice flanges is not desired. These manifold valves provide safe operation and eliminate the need for unnecessary piping, valves and fittings. The manifold comes complete with a mounting kit for quick and easy installation. Available with the exclusive Century non-rotating stem bonnet assembly.



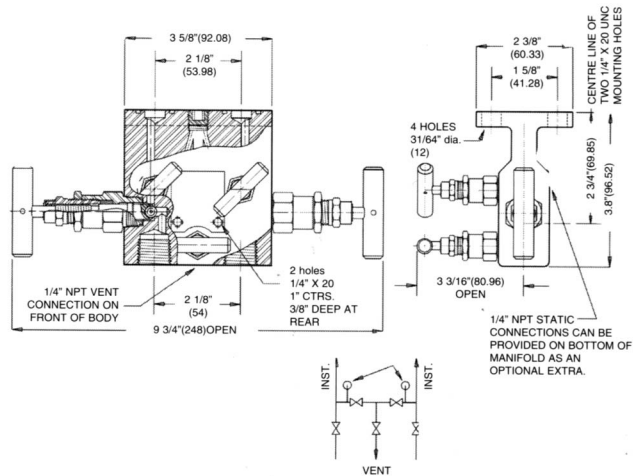
FEATURES

- Pressures to 6000 psi/41370 KPa
- Standard 2.125" centre to centre inlets and outlets
- Hard or soft seated models available • Large 3/16" Bore
- Bonnets Available: Note- Block/Equalize Valves either C, CN or L • Inlet/Outlet Connections: - F49

CM10-5 FIVE VALVE SINGLE FLANGED MANIFOLD



The CM10-5 five valve manifold mounts directly to the differential pressure transmitter. The two horizontal block valves allow easy removal of the instrument for servicing. The three valves at the top of the manifold provide an easy method for accurate field calibration using the manifold vent connections rather than the instrument drain connections. Manifolds are shipped complete with mounting kit for quick and easy installation. Available with the exclusive Century non-rotating stem bonnet assembly.



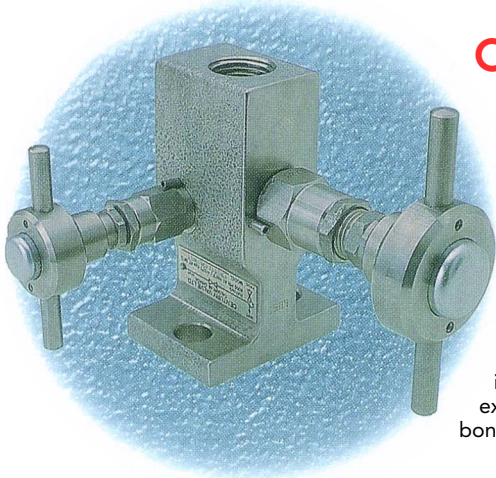
FEATURES

- Pressures 6000 psi/41370 KPa • Standard 2.125" centre to centre spacings
- Large 3/16 Bore
- Hard or soft seated models available
- Bonnets Available: C & D, CDN, L & M Note: Block valves either C, CN or L
- Equalize & Vent/Calibration Valves either D, DN or M • Inlet/Outlet Connections -F49

ORDER INFORMATION

CM10-5 - 1		- F49		- LM		- 15		- T		- SCL	
MODEL TYPE	STANDARD MATERIALS	CONNECTION INLET / OUTLET				BONNET ASSEMBLY TYPE	SEAT MATERIAL	STEM SEAL	TEMPERATURE RANGE		SPECIAL CONSTRUCTION
CM MODEL#		F49 - 1/2" FNPT X FLANGED				SEE SPECIFIC MANIFOLD FOR AVAILABLE BONNET TYPES.	SEE SPECIFIC MANIFOLD FOR AVAILABLE SEAT	A - AFLAS®	23°F	TO 400°F	SC-O = OXYGEN CLEANED SC-L = LOCKED PLATES
CHOOSE MANIFOLD MODEL NUMBER FROM CATALOGUE TO SUIT REQUIREMENT.		ADDITIONAL SPECIAL CONNECTIONS ARE AVAILABLE ON REQUEST				TYPES: A - ROTATING NEEDLE STEM/"O" RING B - ROTATING BALL STEM/"O" RING C - ROTATING BALL STEM/PACKING CN - ROTATING NEEDLE STEM/PACKING D - ROTATING BALL STEM/PACKING DN - ROTATING NEEDLE STEM/PACKING FN - ROTATING NEEDLE STEM/PACKING L - NON-ROTATING NEEDLE STEM/PACKING M - NON-ROTATING NEEDLE STEM/PACKING	15-ARLON® 1000 16-DELTRIN®	G - GRAFOIL™	-40°F	TO 1000°F	
		ALL INLET CONNECTIONS ARE AT 2.125 CENTERS						T - TEFLON®	-300°F	TO 400°F	
								V - VITON®	-184°C	TO 204°C	
									-20°F	TO 400°F	
									-29°C	TO 204°C	
CODES 1 & 2 MEET NACE MR0175-94. ADDITIONAL CONSTRUCTION MATERIALS ARE AVAILABLE ON REQUEST.											
DELTRIN®, VITRON®, TEFLON®, COPYRIGHT T.M. DUPONT CO. AFLAS®, COPYRIGHT OF ASahi GLASS CO. LTD. ARLON® COPYRIGHT GREENE, TWEED & CO. GRAFOIL™, PRODUCT OF UNION CARBIDE CORP.											

PIPE TO FLANGE MANIFOLD SERIES

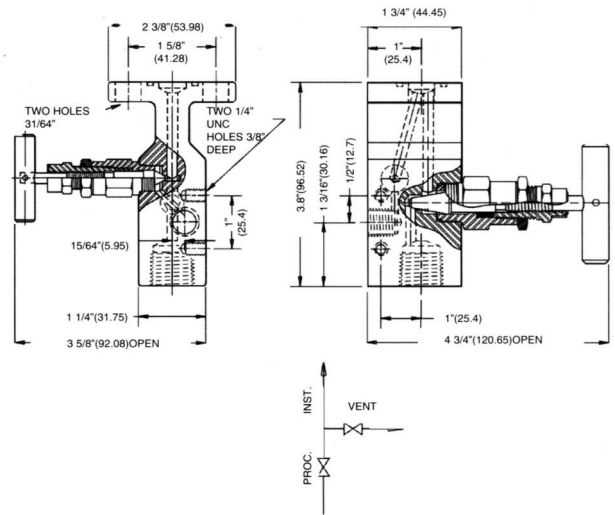


CM31 CLOSE COUPLED TWO VALVED MANIFOLD

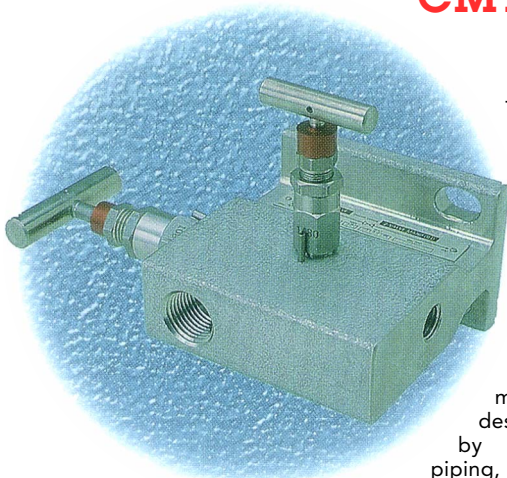
The CM31 manifold has been specifically designed for use with absolute and gauge pressure transmitters. Although compact and lightweight, this valve incorporates a block and vent connection as standard. Manifold comes complete with a mounting kit for quick and easy installation. Available with the exclusive Century non-rotating stem bonnet assembly.

FEATURES

- Pressures to 6000 psi / 41370 KPa
- Compact and lightweight
- Bonnets Available: CN, DN, L & M Note: Block Valves either-C, CN or L; Calibration/Vent Valves either: D, DN or M
- Inlet/Outlet Connections Available - F49



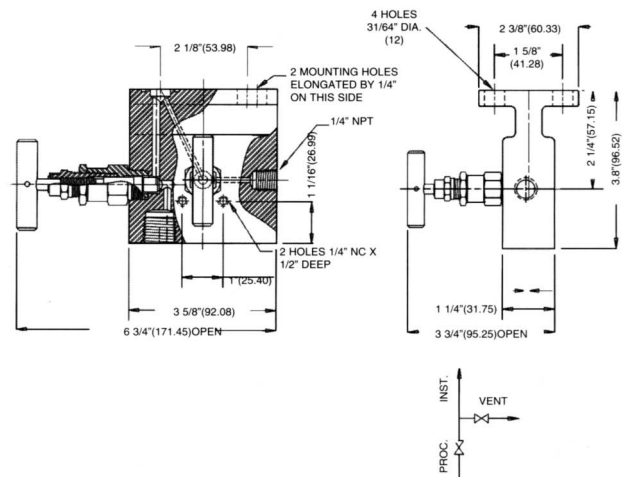
CM10-2 TWO VALVE SINGLE FLANGED MANIFOLD



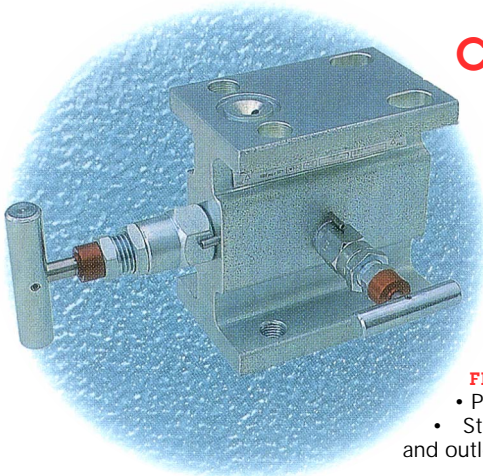
The CM10-2 two valve single flanged manifold is designed for direct mounting to static pressure instruments, where calibration capability is required. Rugged one piece construction is ideal for applications where remote mounting from the process is desired. This calibration manifold features compact design and secure installation by eliminating unnecessary piping, valves and fittings. A rigid mounting kit is available for convenient pipe stand unit assembly. Available with the exclusive Century non-rotating stem bonnet assembly.

FEATURES

- Pressures to 6000 psi/41370 KPa
- 3/16" Bore
- Hard or soft seated models available
- Bonnets Available: C & F or L & M Note: Block Valves either C or L; Calibrate/Vent Valves either: F or M
- Inlet/Outlet Connections Available: F49
- Soft seated available on block valve only



FLANGE TO FLANGE MANIFOLD SERIES

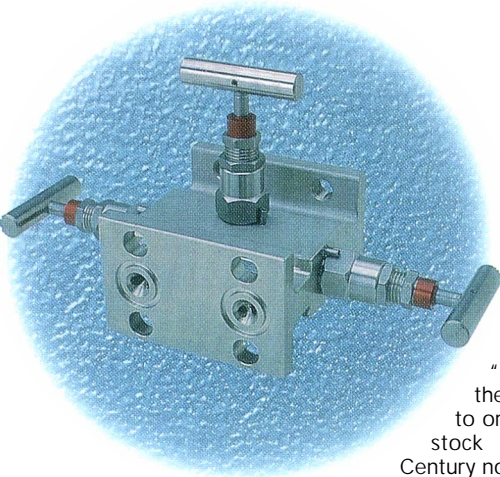
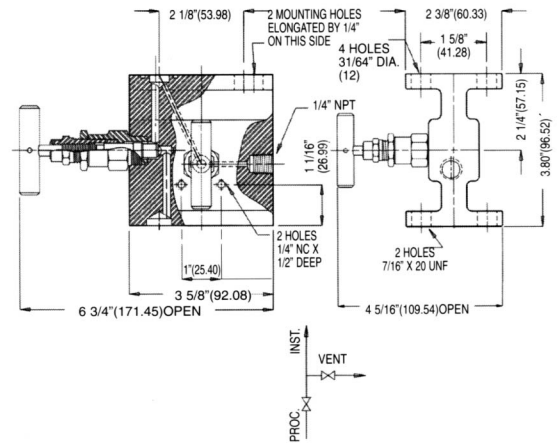


CM20-2 DUAL-FLANGE TWO VALVE MANIFOLD

The CM20-2 dual flanged two valve manifold is designed for close mounting absolute or static pressure transmitters to orifice flanges or orifice changer fittings. By bolting standard futbol flanges to the manifold outlet, the complete assembly can be close coupled to orifice flange taps using eccentric solid bar stock nipples. Available with the exclusive Century non-rotating stem bonnet assembly.

FEATURES

- Pressures to 6000 psi/41370 KPa
- Standard 2.125" center-to-center inlets and outlets
- Bonnets Available: Block and Vent/Calibration Valves either C, CN or L
- Inlet/Outlet Connections Available - F99

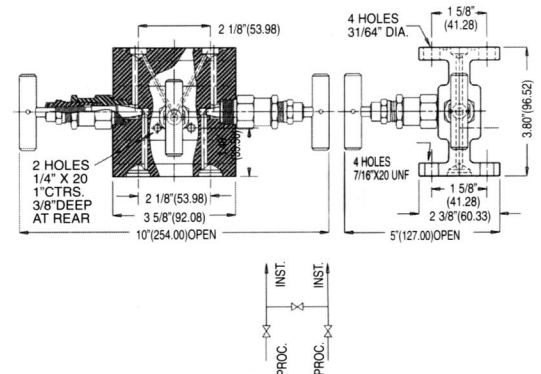


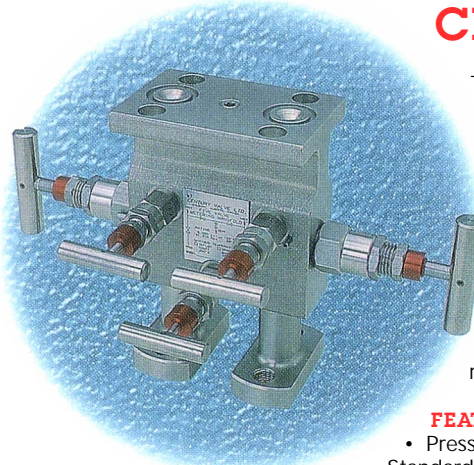
CM20-3 THREE VALVE DUAL FLANGED MANIFOLD

The CM20-3 three valve manifold is designed for close mounting differential pressure instruments to orifice flanges or orifice changer fittings. The flanged valve outlet is bolted directly to the pressure transmitter body. By bolting standard "football" flanges to the manifold outlet, the complete assembly can be close coupled to orifice flange taps using eccentric solid bar stock nipples. Available with the exclusive Century non-rotating stem bonnet assembly.

FEATURES

- Pressures to 6000 psi/41370 KPa
- Standard 2.125" center-to-center inlets and outlets
- Bonnets Available: Block and Equalize Valves either C, CN or L
- Inlet/Outlet Connections: - F99



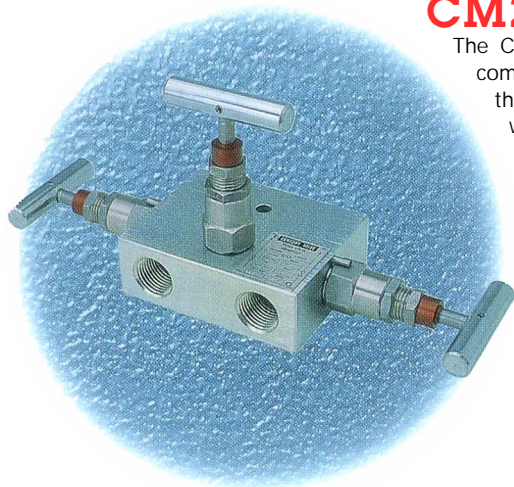
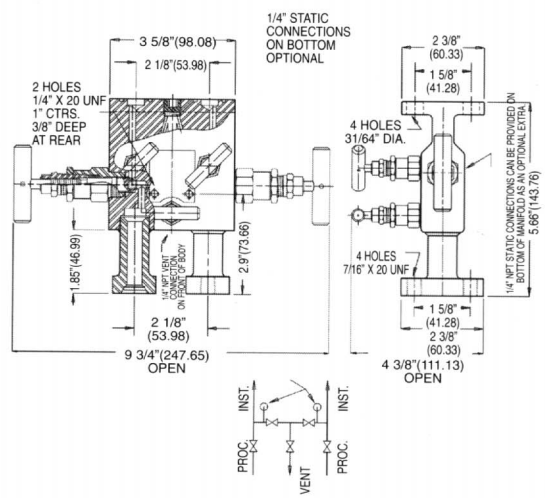


CM20-5 FIVE VALVE MANIFOLD

The CM20-5 five valve dual flanged manifold was designed for close mounting differential pressure instruments to orifice flanges or orifice changer fittings. The flanged outlet is bolted directly to the pressure transmitter. By bolting standard football flanges to the manifold inlet, the complete assembly can be close coupled to orifice flange taps using eccentric solid bar stock nipples. Available with the exclusive Century non-rotating stem bonnet assembly.

FEATURES

- Pressures to 6000 psi/41370 KPa
- Standard 2.125" center-to-center inlets and outlets
- Large 3/16" Bore
- Bonnets Available: CD, CN & DN, L & M
- Note: Block Valves either C, CN or L
- Equalizer & Vent/Calibration Valves either D, DN or L
- Inlet/Outlet Connections Available - F99

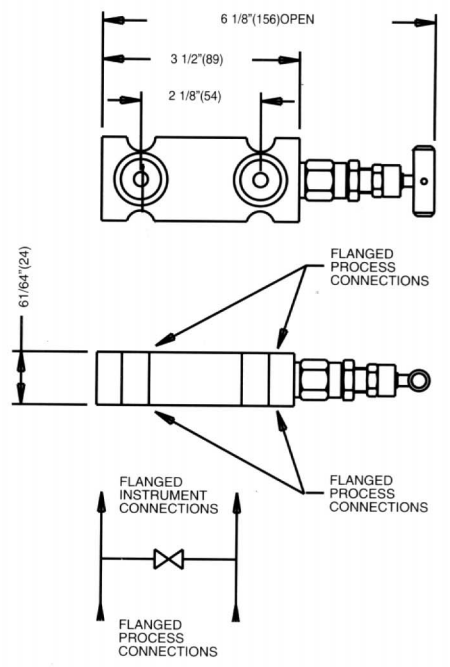


CM23 EQUALIZING VALVE

The CM23 equalizing valve is an economical compact unit designed to mount between the differential pressure and the flanges which generally supplied with the transmitter. Amounting kit is provided for quick and easy installation.

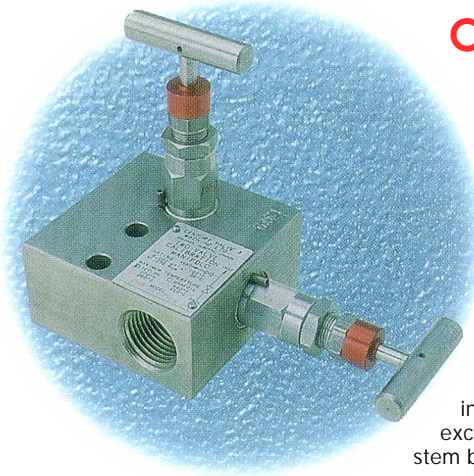
FEATURES

- Pressures to 6000 psi/41370 KPa
- Compact in design
- Bonnets Available: D only



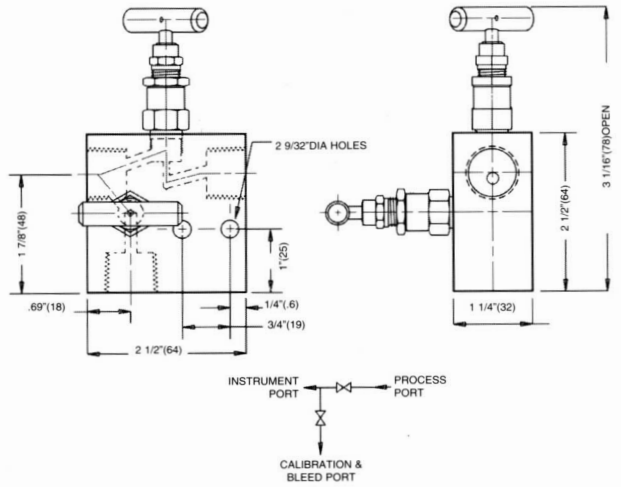
ORDER INFORMATION

CM20-3 - 1 - F99		LM				T		SCL			
MODEL TYPE	STANDARD MATERIALS	CONNECTION INLET / OUTLET				BONNET ASSEMBLY TYPE		STEM SEAL	TEMPERATURE RANGE	SPECIAL CONSTRUCTION	
CM MODEL#	SEE SPECIFIC MANIFOLD FOR AVAILABLE INLET/OUTLET CONNECTIONS	SEE SPECIFIC MANIFOLD FOR AVAILABLE INLET/OUTLET CONNECTIONS				SEE SPECIFIC MANIFOLD FOR AVAILABLE BONNET TYPES.					
		F99 - FLANGED & FLANGED				TYPES:		A - AFLAS®		SC-O = OXYGEN CLEANED	
NOTE: CM23 REQUIRES NO CONNECTION ORDER CODE		NOTE: CM23 REQUIRES NO CONNECTION ORDER CODE				A - ROTATING NEEDLE STEM/PACKING		23°F TO 400°C		SCL = LOCKED PLATES	
ADDITIONAL SPECIAL CONNECTIONS ARE AVAILABLE ON REQUEST		ADDITIONAL SPECIAL CONNECTIONS ARE AVAILABLE ON REQUEST				C - ROTATING BALL STEM/PACKING		-5°C TO 204°C			
ALL INLET CONNECTIONS ARE AT 2.125 CTRS		ALL INLET CONNECTIONS ARE AT 2.125 CTRS				D - ROTATING BALL STEM/PACKING		-40°F TO 1000°F			
						DN - ROTATING NEEDLE STEM/PACKING		-40°C TO 538°C			
						L - NON-ROTATING NEEDLE STEM/PACKING		T - TEFLON®			
						M - NON-ROTATING NEEDLE STEM/PACKING		-300°F TO 400°F			
								-184°C TO 204°C			
								V - VITON®			
								-20°F TO 400°F			
								-29°C TO 204°C			
CODE	BODY	BONNET	ADJUSTER	STEM	HANDLE	CM23 ONLY AVAILABLE WITH "D" BONNET ASSEMBLY					
1	316SS	316SS	303SS	316SS	303SS						
2	A105	316SS	303SS	316SS	303SS						
3	A108	A108	A108	303SS	A108						
CODES 1 & 2 MEET NACE MR0175-2002. ADDITIONAL CONSTRUCTION MATERIALS ARE AVAILABLE ON REQUEST.											
DELRIN®, VITON®, TEFLON®, COPYRIGHT T.M. DUPONT CO AFLAS®, COPYRIGHT OF ASAHI GLASS CO. LTD. GRAFOIL™, PRODUCT OF UNION CARBIDE CORP											



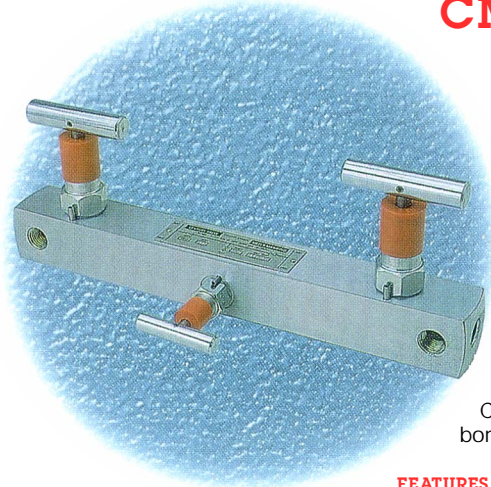
CM12 TWO VALVE CALIBRATION MANIFOLD

The CM12 two valve calibration manifold provides an economical and convenient method of blocking, bleeding and calibrating pressure from transmitters. This valve may be mounted rigidly to a mounting bracket providing a safe isolation valve, while reducing the number of fittings and space required for installation. Available with the exclusive Century non-rotating stem bonnet assembly.



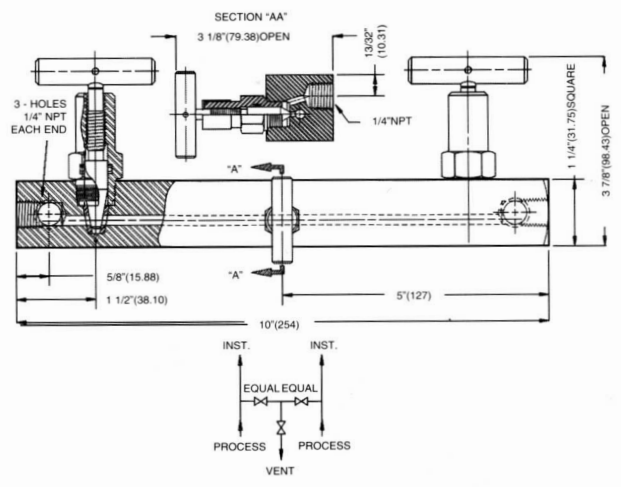
FEATURES

- Pressure to 6000 psi/41370 KPa
- 3/16" Bore
- Option soft seat inserts
- Hard or soft seated models available
- Bonnets Available: Block and Vent/Calibrate Valves either - D, DN or M
- Inlet/Outlet Connection Available - F44T



CM19 THREE VALVE METERED MANIFOLD

The CM19 Three valve meter manifold is designed for convenient isolation, venting and on-line calibration for local chart and recording meters. Durable bar stock body construction, with integrated equalizing and vent valves, is ideally suited for mounting beneath field meter cases. Available with the exclusive Century non-rotating stem bonnet assembly.



FEATURES

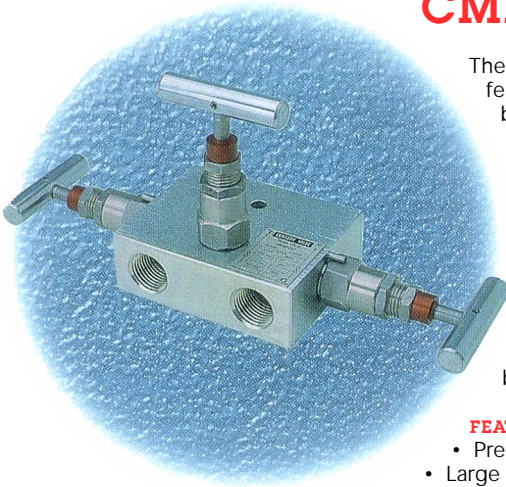
- Pressures to 600 psi/41370 KPa
- Replaceable Arlon seats are field serviceable
- Multi-ported pressure taps allow static pressure measurements to be taken upstream or down stream.
- Bonnets Available - Equalize Valves - C, CN OR L; Vent Valves - D, DN or M
- Inlet/Outlet Connections Available: F22T

ORDER INFORMATION

CM5		- 1		- F44T		- LM		- 15		- T		- SCL	
MODEL TYPE	STANDARD MATERIALS	CONNECTION INLET / OUTLET				BONNET ASSEMBLY TYPE		SEAT MATERIAL	STEM SEAL		TEMPERATURE RANGE		SPECIAL CONSTRUCTION
CM MODEL#		SEE SPECIFIC MANIFOLD FOR AVAILABLE INLET/OUTLET CONNECTIONS				SEE SPECIFIC MANIFOLD FOR AVAILABLE BONNET TYPES		SEE SPECIFIC MANIFOLD FOR AVAILABLE SEAT TYPES	A - AFLAS®		23°F TO 400°F		SC-O = OXYGEN CLEANED SC-L = LOCKED PLATES
CHOOSE MANIFOLD MODEL NUMBER FROM CATALOGUE TO SUIT REQUIREMENT.		F22T - 1/4" FNPT X 1/4" FNPT F44T - 1/2" FNPT X 1/2" FNPT				TYPES: A - ROTATING NEEDLE STEM/"O" RING B - ROTATING BALL STEM/"O" RING C - ROTATING BALL STEM/PACKING D - ROTATING BALL STEM/PACKING FN - ROTATING NEEDLE STEM/PACKING L - NON-ROTATING NEEDLE STEM/PACKING M - NON-ROTATING NEEDLE STEM/PACKING		15-ARLON® 1000 16-DELTRIN®	G - GRAFOIL™ T - TEFLON® V - VITON®		-5°C TO 204°C -40°F TO 1000°F -40°C TO 538°C -300°F TO 400°F -184°C TO 204°C -20°F TO 400°F -29°C TO 204°C		
CODE	BODY	BONNET	ADJUSTER	STEM	HANDLE	ALL INLET CONNECTIONS ARE AT 2.125 CTRS		SOFT SEATED MANIFOLDS MUST INCORPORATED NEEDLE STEM BONNETS				DELTRIN®, VITRON®, TEFLON®, COPYRIGHT T.M. DUPONT CO. AFLAS®, COPYRIGHT OF ASAHI GLASS CO. LTD. ARLON® COPYRIGHT GREENE, TWEED & CO. GRAFOIL™, PRODUCT OF UNION CARBIDE CORP.	
1	316SS	316SS	303SS	316SS	303SS								
2	A105	316SS	303SS	316SS	303SS								
3	A108	A108	A108	303SS	A108								
CODES 1 & 2 MEET NACE MR01-2002. ADDITIONAL CONSTRUCTION MATERIALS ARE AVAILABLE ON REQUEST.													

PIPE TO PIPE MANIFOLD SERIES

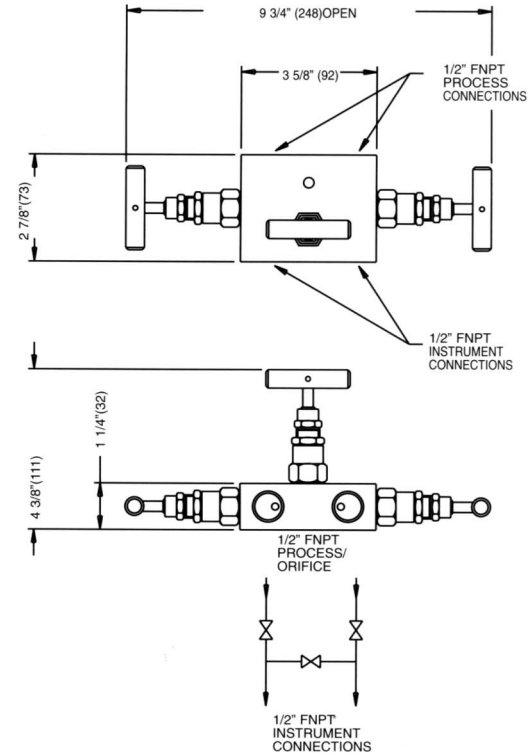
CMR3 THREE VALVE MANIFOLD



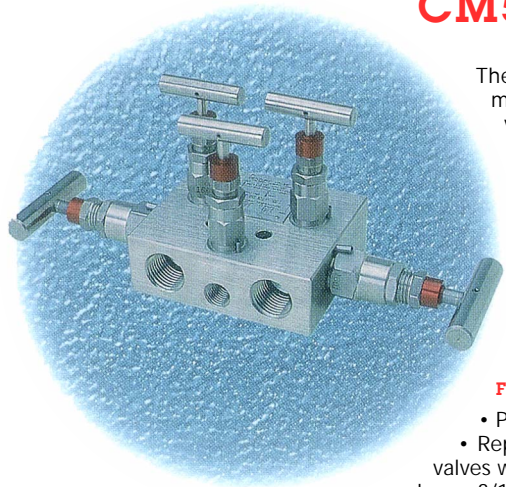
The CM3R three valve manifold features over-sized type "C" bonnets to provide maximum durability. Two block valves and one equalizing valve are provided in a single body, making the manifold ideal for on-line instrument calibration. Integral valve construction eliminates the use of numerous valves, nipples and fittings. Available with the exclusive Century non-rotating stem bonnet assembly.

FEATURES

- Pressures to 6000 psi/41370 KPa
- Large 3/16" diameter equalizing ports for viscous fluid service applications
- Hard or soft seated models available
- Bonnets Available: Block and Equalize Valves either- A,C,CN or L
- Inlet/Outlet Connection Available - F44T



CM5 FIVE VALVE METERING MANIFOLD



The CM5 five valve metering manifold consists of two shut-off valves, two equalizing valves and a single vent valve. This unit takes the place of the conventional piped up 5 valve manifold generally found on field meters or gas service differential transmitters. Available with the exclusive Century non-rotating stem bonnet assembly.

FEATURES

- Pressures to 6000 psi/41370 KPa
- Replaceable Arlon soft seats with rodding out capability on block valves with "CN" bonnets
- Large 3/16" Bore
- Hard or soft seated models available
- Bonnets Available: C & D, CDN, L&M Note: Block Valves either: C, CN or L
- Equalize and Vent Valves either: D, DN or M
- Eliminates metering error due to leakage across high/low pressure connections
- Inlet/Outlet Connections Available - F44T

