

Compact Panel

Manifolds/Changeover Regulators

DCATLABO1259XEN2

Specifications

For other materials or modifications, please consult TESCO. M.

FLUID MEDIA

Non corrosive/corrosive gases and mixtures up to high purity of 6.0 (99.9999 Vol%)

OPERATING PARAMETERS

Pressure rating per criteria of ANSI/ASME B31.3

Maximum Inlet Pressure

4350 psig / 300 bar

Outlet Pressure Range

0 to 145 psig / 0 to 10 bar

0 to 290 psig / 0 to 20 bar

Material

Nickel-plated Brass or Stainless Steel

Leak Rate

10^{-7} mbar l/s He

Operating Temperature

-4°F to 158°F / -20 °C to 70 °C

Nominal Flow Rate

10 m³/h based on Nitrogen, C_v = 0.06

MEDIA CONTACT MATERIALS

Body

316 Stainless Steel or Nickel-plated Brass

Diaphragm

316L Stainless Steel

OTHERS

Inlet Port Type and Size

G 3/8" female

Compression fitting 6 mm

Outlet Port Type and Size

Process Outlet: G 1/4" *

Purge Gas: G 1/4" *

Relief Valve: M 12x1 **

Cleaning

Cleaned for Oxygen Service

Weight (approximately)

17.6 lbs / 7.9 kg for 2x1 cylinder

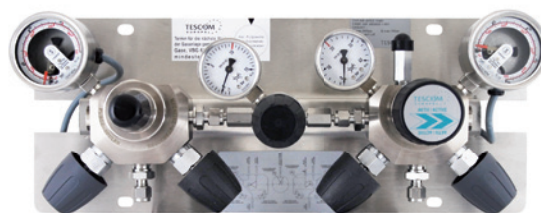
8.1 lbs / 3.7 kg for 1 cylinder

* Adaptors to all metric and imperial tube sizes available!
Please check data sheet "Fittings" for adaptors

** Adapter PIN to metric tube available!
Please contact TESCO. M.



PANEL FOR 1 CYLINDER WITH CONTACT GAUGE



DUAL STAGE COMPACT PANEL AUTOMATIC CHANGEOVER WITH CONTACT GAUGES

The TESCO. M Compact Panel is a central gas supply unit for the pressure control of analytical gases in laboratory facilities. Depending on the requirements, these units switch over to a spare cylinder in order to enable a continuous gas supply. The use of contact gauges allows the monitoring of empty gas cylinders.

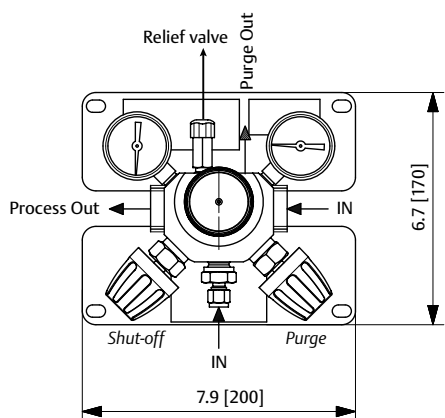
Applications

- Central gas supply for the distribution of gases in laboratory applications
- Supply of gases for laser cutting applications
- Various other processes requiring continuous gas supply

Features and Benefits

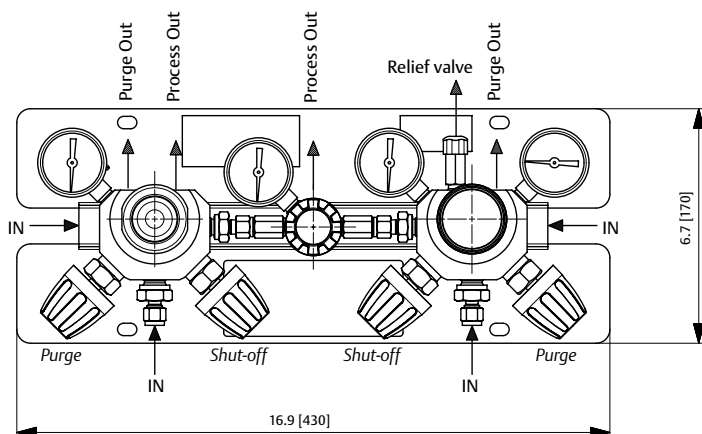
- Few connections and minimized internal volume due to the integration of valves and pressure regulator in one body
- Suitable for ECD (Electron Capture Detector) applications
- Short purging time when changing cylinders
- Purging with process or inert gas
- Easy and quick to maintain - a P & ID is located on front of the panel
- Stainless Steel mounting plate for corrosive environments
- Very compact design (fits into most gas cabinets)
- All versions contain a filter element in the inlet

Compact Panel Drawings



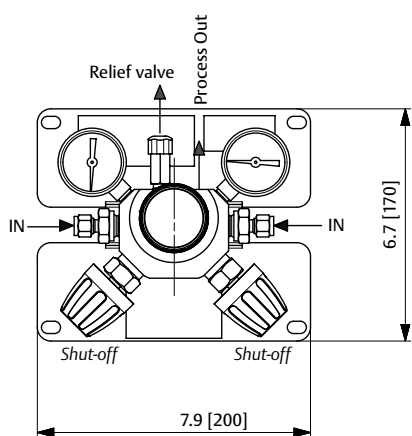
KP1

(Compact Panel, 1 cylinder, standard manometer)



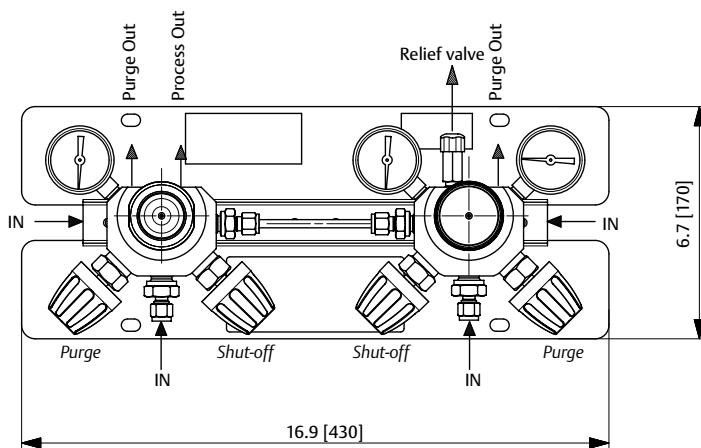
KPA2 – Automatic changeover, dual-stage

(Compact Panel, 2x1 cylinder, standard manometer)



KPM – Manual changeover

(Compact Panel, 2x1 cylinder, standard manometer)



KPA – Automatic changeover, single-stage

(Compact Panel, 2x1 cylinder, standard manometer)

All dimensions are reference & nominal
Metric [millimeter] equivalents are in brackets

Compact Panel Part Number Selector

Repair Kits, Accessories & Modifications may be available for this product. Please contact TESCOM for more information.

Example for selecting a part number:

BASIC SERIES	MATERIAL	GAUGES	OUTLET PRESSURE
KP1- 1 Cylinder	1 – Brass	SM – Standard gauge	1 – 145 psig / 10.0 bar Set point 145 psig / 10 bar
KPM 2x1 cylinder, manual changeover	6 – Stainless Steel	KM – Contact gauge	2 – 290 psig / 20.0 bar Set point 290 psig / 20 bar
KPA 2x1 cylinder, automatic changeover, single stage		EX – Inductive contact gauge	
KPA2 2x1 cylinder, automatic changeover, dual stage		KG – Pressure switch	

Please reference data sheets "Accessories for Panels" and "Fittings" for additional accessories for compact panel.

Please reference data sheet "System Components for Compact Panels" for information about annunciator system and emergency switch-off components.



WARNING! Do not attempt to select, install, use or maintain this product until you have read and fully understood the TESCOM Safety, Installation and Operation Precautions.