

High Pressure Panel

Manifolds/Changeover Regulators

DCATLABO1282XEN2

Specifications

For other materials or modifications, please consult TESCOM.

FLUID MEDIA

For non-corrosive gases and mixtures up to purity 6.0 (99.9999 Vol %)

OPERATING PARAMETERS

Pressure rating per criteria of ANSI/ASME B31.3

Maximum Inlet Pressure

2900 psig / 200 bar
4350 psig / 300 bar

Outlet Pressure Range

2175 psig / 150 bar

Operating Temperature

-4°F to 158°F / -20°C to 70°C

Nominal Flow

10 m³/h, C_v = 0.06 (depending on pressure and gas)

MEDIA CONTACT MATERIAL

Material

Chrome plated Brass or Stainless Steel

OTHER

Connections

6 mm compression fitting or G 3/8" female
Other outlet options on request

Weight

9.26 lbs / 4.2 kg



TESCOM High Pressure Panel is a central gas supply unit for the pressure control of analytical gases in laboratory facilities. The use of contact gauges allows the monitoring of the filling pressure of gas cylinders.

Applications

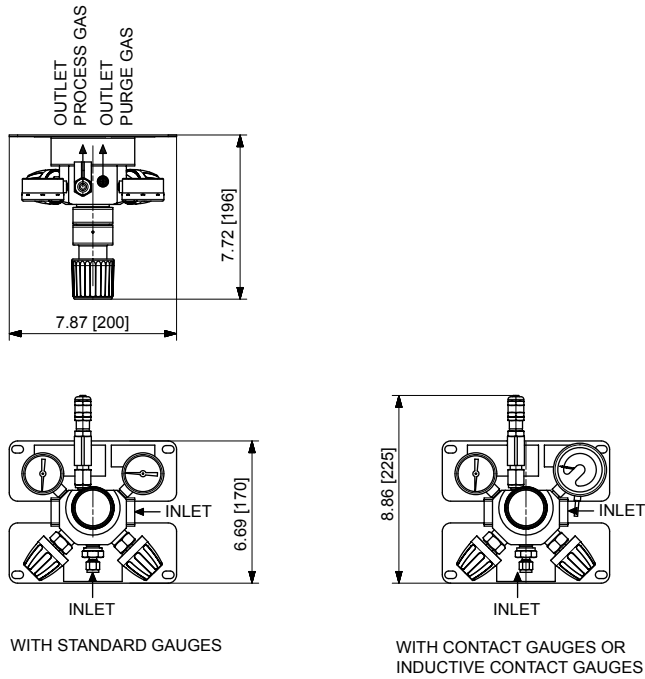
- High pressure central gas supply for the distribution of gases in laboratory applications
- Suitable for ECD (Electronic Capture Detector) applications

Features and Benefits

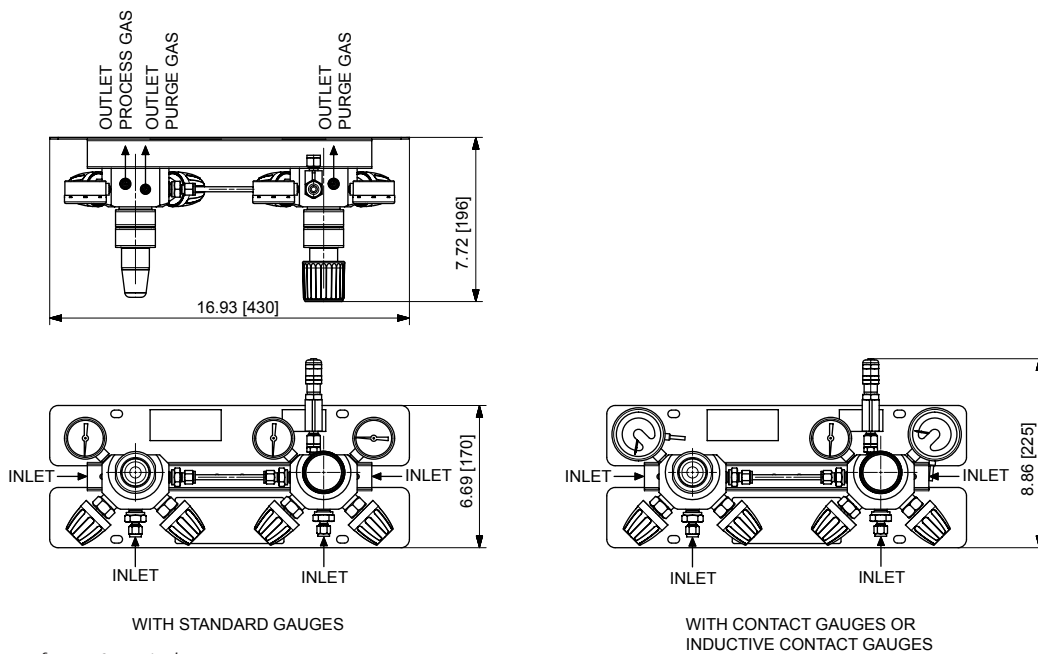
- For very high work pressures up to 2175 psig / 150 bar
- Inlet section with purge valve, purging with process or inert gas
- Easy to use and safe operation (includes relief valve)
- Few connections and minimized internal volume due to the integrated design of valves and pressure regulators in one body
- Quick and simple installation
- Small dimensions
- Stainless Steel mounting plate for corrosive environment
- High pressure, explosion proof contact gauge is available

High Pressure Panel Drawing

HIGH PRESSURE PANEL FOR 1 CYLINDER



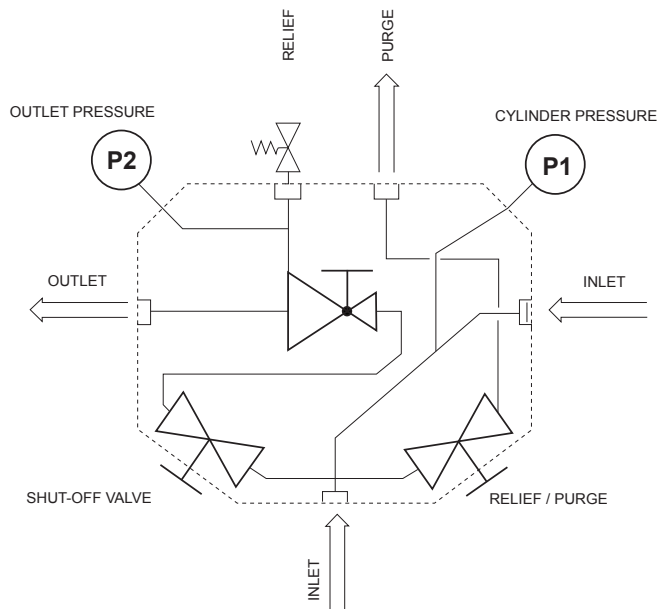
HIGH PRESSURE PANEL FOR 2 CYLINDERS WITH AUTOMATIC CHANGEOVER



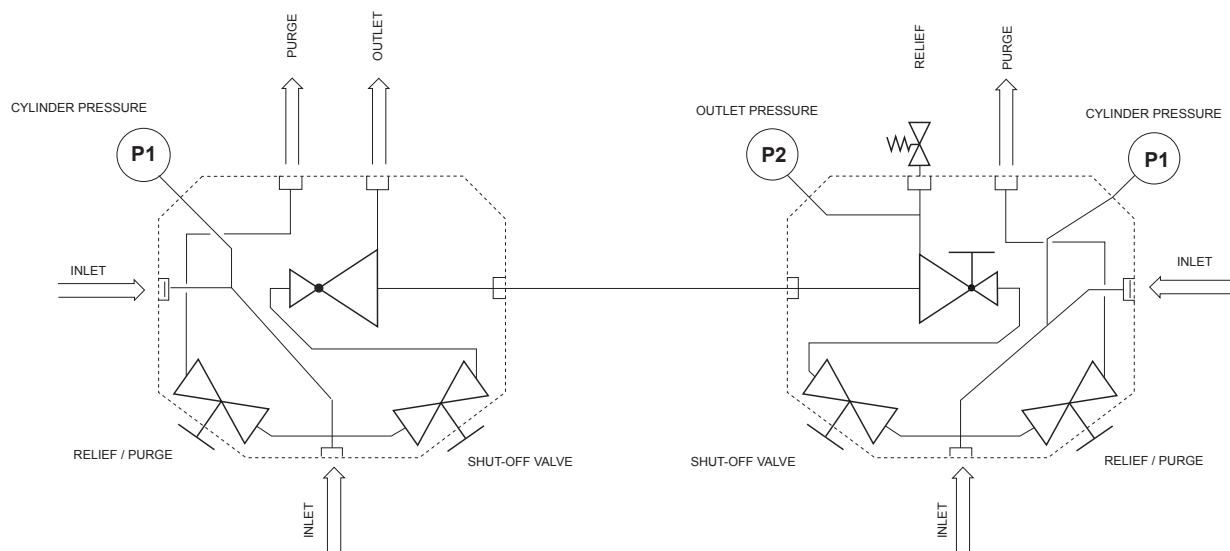
All dimensions are reference & nominal
Metric [millimeter] equivalents are in brackets

High Pressure Panel Functional Diagram

HIGH PRESSURE PANEL FOR 1 CYLINDER

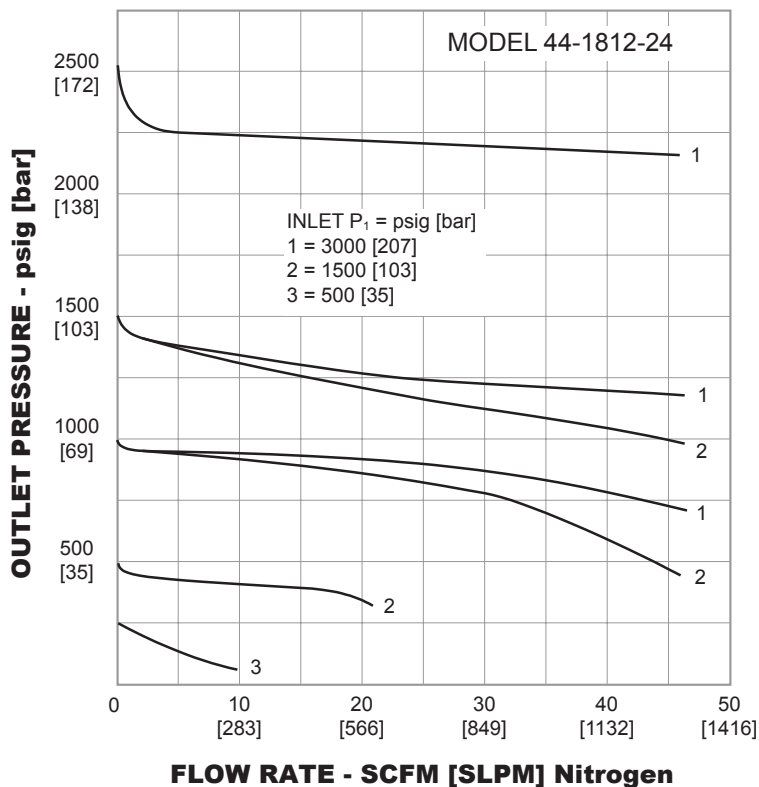


HIGH PRESSURE PANEL FOR 2 CYLINDERS WITH AUTOMATIC CHANGEOVER



High Pressure Panel Flow Chart

For more information on how to read flow curves, please refer to the Flow Curves and Calculations document (debul2007x012) in the TESCOM catalog or on www.tescom.com.



High Pressure Panel Part Number Selector

Repair Kits, Accessories & Modifications may be available for this product. Please contact TESCOM for more information.

Example for selecting a part number:

KP1	6	SM	3
BASIC SERIES	MATERIAL	GAUGES	OUTLET PRESSURE RANGE
KP1 KPA	1 – Brass 6 – Stainless Steel	SM – Standard gauge KM – Contact gauge EX – Inductive contact gauge	3 – 2175 psig / 150 bar

Please reference the "Accessories for Panels" datasheet in the Manifolds/Changeover Regulators section or "Fittings" in the Accessories section for pigtail or high pressure hoses, etc.

WARNING! Do not attempt to select, install, use or maintain this product until you have read and fully understood the TESCOM Safety, Installation and Operation Precautions.