

Labo-F and Doppelregulus

Regulators - Pressure Reducing

DCATLABO1208XEN2

Specifications

For other materials or modifications, please consult TESCOM.

FLUID MEDIA

Non-corrosive gases up to purity 5.0 (99.999 Vol %)

OPERATING PARAMETERS

Maximum Inlet Pressure

Labo-F and Doppelregulus: 2900 psig / 200 bar

Control Pressure Ranges

Labo-F:

22 psig / 1.5 bar
58 psig / 4.0 bar
145 psig / 10.0 bar
290 psig / 20.0 bar

Doppelregulus:

14.5 psig / 1.00 bar
22 psig / 1.5 bar
0.73 psig / 50 mbar
1.45 psig / 100 mbar
7.25 psig / 500 mbar

OTHER

Connection

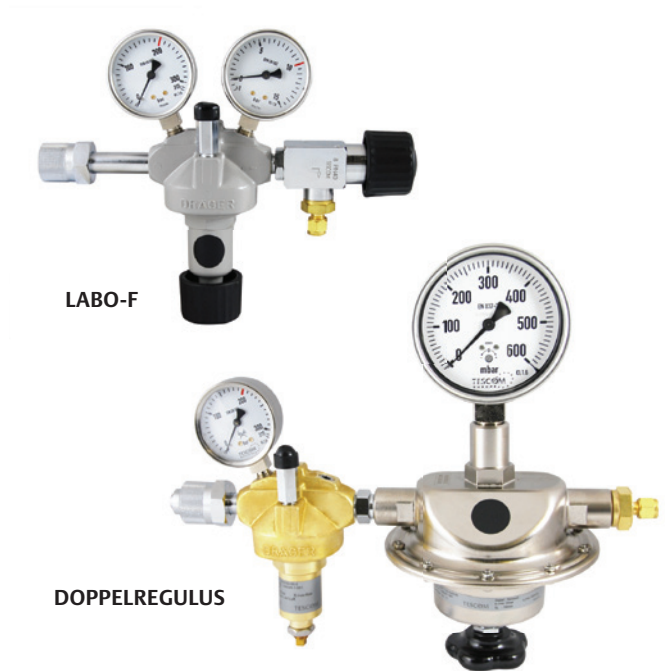
Inlet: According to DIN 477-1

Outlet: Compression fitting \varnothing 6 mm with hose nozzle 6 mm

Weight

Labo-F: 5.7 lbs / 2.6 kg

Doppelregulus: 8.6 lbs / 3.9 kg



TESCOM Labo-F and Doppelregulus cylinder pressure regulators are for applications with medium flow requirements (Labo-F) or low outlet pressures (Doppelregulus).

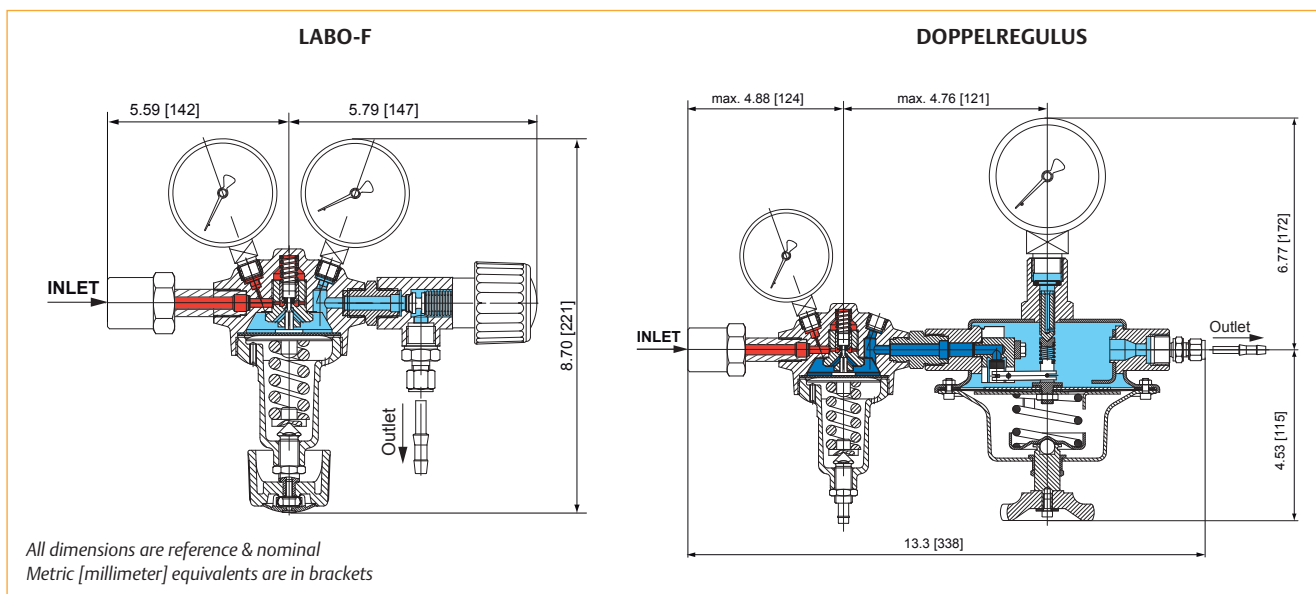
Applications

- Universal use - for all technical gases (gas purity up to 5.0)
- Precise control of low outlet pressures
- Control of low outlet pressures

Features and Benefits

- Single-stage Labo-F includes shut-off valve for high flow capacity (up to 50 m³/h)
- Dual-stage Doppelregulus provides millibar pressure control
- Five different setpoints for outlet pressure

Labo-F and Doppelregulus Regulator Drawing



Labo-F and Doppelregulus Regulator Part Number Selector

Repair Kits, Accessories & Modifications may be available for this product. Please contact TESCOM for more information.

Example for selecting a part number:

| D43150 | - | 12 | - | 05 | - | 2 |
|---|---|-----------|---|-----------|--|----------|
| BASIC SERIES | GAS | | OUTLET PORT CONNECTION | | CONTROLLED PRESSURE RANGE | |
| D43150 Labo-F | <ul style="list-style-type: none"> 02 – Nitrogen 08 – Air 09 – Synthetic air 12 – Oxygen 13 – Nitrous oxide 15 – CO₂ and inert gases 16 – Flammable gases 17 – Calibration gases | | <ul style="list-style-type: none"> 00 – Without connection G 3/8" female 05 – Compression fitting ø 6 mm with hose nozzle ø 6 mm separately | | <ul style="list-style-type: none"> 1 – 22 psig / 1.5 bar 2 – 58 psig / 4.0 bar 3 – 145 psig / 10.0 bar 4 – 290 psig / 20.0 bar | |
| <i>Note: Other outlet connections are available</i> | | | | | | |

| D50711 | - | 12 | - | 0050 | - | 05 |
|---|---|-----------|---|-------------|--|-----------|
| BASIC SERIES | GAS | | CONTROLLED PRESSURE RANGE | | OUTLET PORT CONNECTION | |
| D50711 Doppelregulus | <ul style="list-style-type: none"> 02 – Nitrogen 08 – Air 09 – Synthetic air 12 – Oxygen 13 – Nitrous oxide 15 – CO₂ and inert gases 16 – Flammable gases (except Propane and Acetylene) 17 – Calibration gases 42 – Compressed air - 4350 psig / 300 bar | | <ul style="list-style-type: none"> 0050 – 0.73 psig / 50 mbar 0100 – 1.45 psig / 100 mbar 0500 – 7.25 psig / 500 mbar 1000 – 14.5 psig / 1.00 bar 1500 – 22 psig / 1.5 bar | | <ul style="list-style-type: none"> 05 – Compression fitting ø 6 mm with hose nozzle ø 6 mm separately | |
| <i>Note: Other outlet connections are available</i> | | | | | | |

Accessories

| PART NUMBER | DESCRIPTION |
|-------------|---|
| D50810 | Sealing ring for O ₂ and Synthetic air |
| D50809 | Sealing ring for non-corrosive gases |
| D41414 | Sealing ring for calibration mixture, Nitrous oxide |
| D41681 | Nozzle 6 mm |



WARNING! Do not attempt to select, install, use or maintain this product until you have read and fully understood the TESCOM Safety, Installation and Operation Precautions.

DCATLABO1208XEN2 © 2012 Emerson Process Management Regulator Technologies, Inc. All rights reserved. 05/2012.
Tescom, Emerson Process Management, and the Emerson Process Management design are marks of one of the Emerson Process Management group of companies. All other marks are the property of their respective owners.