



***Recognized as a
world-class leader in
level control switches,
flow indicators,
chemical metering pumps,
chemical injection systems
and
allied products.***



LEVEL CONTROL SWITCHES

O R D E R I N G

To Order, Call 800.455.LINC.

Or FAX your order anytime to
936.788.5720.

**For the Nearest Authorized
Representative,
Call 800.455.LINC.**

Technical Support.

Toll free, 7 days a week, 24 hours
a day, 800.455.LINC.

Convenient Hours.

Our phone lines are open Mon-
day-Friday 8:00 AM-5:00 PM
(CST).

LINC Warranty.

One year limited warranty on all
our products against defects in
materials.

LINC Technical Support.

Technical service and support
begins with an easy toll-free call.
Many times, our experienced cus-
tomer service reps can isolate and
resolve problems over the phone or
provide a referral to our authorized
representatives nationwide. We
also offer factory repair facilities in
Snyder, Texas.

Purchase Orders.

All mail-in purchase orders must
be signed by an authorized person.
When ordering please list:

- Quantity
- Description of Items
- Shipping Address
- Billing Address
- Purchase Order Number

RFQ's.

Please send RFQ's to:
YZ Systems, Inc.
Attn.: Customer Service
3101 Pollok Drive
Conroe, Texas 77303
or by Fax: 936.788.5720

Freight Charges.

All shipments are F.O.B., factory.
Shipping and handling are included
on the invoice (prepay and add).

Special Pricing.

Call about our corporate pur-
chase pricing and for quantity dis-
counts.

Terms.

With credit approval, net 30 days.

YZ Systems, Inc. represents and warrants that for a period of 1 year from receipt of the product: (1) the product will be free from defects in materials and workmanship; and (2) the product will perform substantially in accordance with product manuals, literature, or documentation. Any written or oral information or advice given by YZ representatives, agents, or employees will in no way increase the scope of this warranty. If the product fails to comply with the warranty set forth herein, YZ's entire liability and the customer's exclusive remedy will be replacement of the product(s) or, at YZ's option, YZ's reasonable effort to make the product meet the warranty set forth herein. **YZ disclaims all other warranties, either expressed or implied, including but not limited to, implied warranties or merchantability and fitness for a particular purpose, with respect to the product.** This limited warranty gives you specific legal rights. You may have others, which vary from state to state. **These remedies are not available outside of the United States and Canada.** In no event shall YZ or its suppliers be liable for any damages whatsoever (including, without limitation, damages for loss of profits, business interruption, loss of information, or other pecuniary loss) arising out of the use of or inability to use the product, even if YZ has been advised of the possibility of such damages. Information contained in this document is subject to change without notice and does not represent a commitment on the part of YZ Systems, Inc. All prices quoted are in U.S. dollars, F.O.B. Snyder, Texas. LINC, LINC Chemical Pumps, and LINC Level & Flow Switches are trademarks of YZ Systems, Inc. All other product names and/or registered trademarks are the property of their respective holders. YZ support services are subject to YZ's then-current prices, terms, and conditions, which are subject to change without notice. All prices and specifications, if published, are subject to change without notice.

LEVEL CONTROL SWITCHES

I N D E X

PRODUCT SERIES	PRODUCT DESCRIPTION	PAGES	
• L471 & L471SC Series	Electric level control switches, standard and extended body	4 - 21	
	High Temperature Switch Options	9	
	Relay Assemblies	11	
	Manual Override	12	
	Manual Override, Extended Body	18	
	Standard and Optional Configurations	20	
• LV471 & L971 Series	Electric level control switches, vertical and extended body	22 - 25	
	• 282 & 282SC Series	Pneumatic level control switches, snap acting, non-bleed	26 - 37
		Manual Override	35
	Standard and Optional Configurations	36	
• PT265/265SC, PT966 Series	Pneumatic level control switches, throttling	38 - 45	
• 102 Series	Pneumatic level control switches, non-bleed	46 - 51	
• 700 & 35 Series	External cage and sight glasses	52 - 53	
• NF265 & NF282 Series	Electric and pneumatic flow indicators	54 - 57	
• FV3064 Series	Electric flow indicator, low volume	58 - 60	

LEVEL CONTROL SWITCHES

LINC - L471 & L471SC SERIES

The LINC-L471 & L471SC Series: Electric Level Control Switches



Application:

Used as a high & low level control, the L471 & L471SC can activate alarms, provide a switch input for control systems, or perform a variety of desired electrical switch operations actuated by a liquid or liquid interface.

Operation:

As the float is moved by varying liquid height, a magnet is moved closer to or further away from a switch enclosure. As the magnet moves closer, a reed switch in the enclosure closes. As the magnet moves further away, the switch opens. The arm containing the magnet also acts as a counterweight for the float.

The float is small and will operate in liquids with a specific gravity as low as 0.4. The interface type will operate with a specific gravity differential as low as 0.1. This small float permits an economical installation in locations where other controls would be cost prohibitive. Available with a relay mounted in an explosion-proof case allowing the control of larger electrical loads. The manual override option allows the operator to manually move the float arm to the test switch position.

Benefits:

- Easy to Repair.....
- Easy to Field Test.....
- No Leaks.....
- Lower Operating Costs.....
- Lower Inventory.....
- Versatile.....
- Safe.....
- Corrosion Resistant.....
- Optional Corrosion Resistant Materials.....
- Reliable.....
- High & Low Pressure Applications.....

Features:

- Repairs on-site in 20 minutes with the Quick-Change switch cartridge
- The Manual Override option enables mechanical and electrical function testing while installed
- Environmentally-isolated design keeps operational fluids away from electrical circuitry
- Quick-Change, inexpensive replacement parts
- One L471 inverts for both High & Low level applications
- One L471 provides both normally open, and normally closed switching by simply inverting the L471
- Certified as explosion-proof¹ for Hazardous Locations: Class I, Div. 1, Groups A, B, C, D; Class II, Div. 1, Groups E, F, G; and Class III, Div.1, by CSA a Nationally recognized Testing Laboratory in the U.S. and Canada
- Standard 316 Stainless Steel wetted and housing components for corrosion resistance
- Monel, Kynar, Teflon, Teflon Coated, Hastelloy C, PVC, Polypropylene, and Alloy 20
- Sealed switch cartridge prevents dust, fluids, and corrosion from interfering with electrical circuitry
- Available with Stainless Steel and Polypropylene displacer options for various process pressures

¹ When a relay assembly is used, Class I, Div. 1, is limited to Groups C and D.

LEVEL CONTROL SWITCHES

LINC - L471 & L471SC SERIES

Specifications: L471 & L471SC Series Electric Level Control Switches

Pressure:	1,500 psi standard, available to 5,000 psi, (1,500 psi maximum with the Manual Override option)
Temperature:	-40°F to +400°F standard, with 500°F optional
Specific Gravity:	0.4 minimum standard; interface 0.1 differential minimum
Materials:	316 stainless steel wetted parts are standard. Available in other austenitic metals and plastics
Switch Rating:	SPST (SPDT optional) 100 V.A. AC, 100W DC, 3 amp inrush capability, maximum of 250 Volts, Hermetically sealed
Connections:	
Electrical:	1/2" conduit standard, with other sizes optional
Process:	1 1/2" NPT standard, available in 2" NPT, 3" flanged or larger, and externally caged
CSA Certification:	Listed as explosion-proof for Class I, Div. 1, Groups A, B, C, D; Class II, Div. 1, Groups E, F, G; and Class III, Div. 1

Ordering Chart:

Series:

- L471 - Electric level control
- L471SC - Externally caged electric level control. Note: The body style is always "0" due to ring bolt. 1,500 psi WP standard; 3,000 psi WP available ²

Body Style:

- 0 - Standard, 1 1/2" NPT (ring bolt on L471SC)
- 1 - Standard, 2" NPT
- 2 - Standard, 1 1/2" NPT, manual override ³
- 4 - Standard, 2" NPT, manual override ³
- 3 - Extd. body ⁴, 2" NPT, vertical displacer
- 6 - Extd. body ⁴, 2" NPT, vertical displacer, manual override
- 7 - Extd. body ⁴, 2" NPT, horizontal displacer
- 8 - Extd. body ⁴, 2" NPT, horizontal displacer, manual override

Type:

- 1 - Standard
- 2 - High pressure, 5,000 psi polypropylene displacer, temp. +180°F max, spec. grav. 0.6 min.
- 3 - Interface, 5,000 psi polypropylene displacer, temp. +180°F max, upper fluid less than: .870 spec. grav; lower fluid more than: .970 spec. grav.
- 4 - Other gravities for interface, specify gravities of fluids (upper & lower)
- 9 - Displacer, 5,000 psi polypropylene displacer, temp. +180°F max, spec. grav. 0.5 min.

Other ⁵:

- 02 - Annulus plug
- 03 - Relay assembly ¹, general purpose plug-in, 24VDC DPDT 10 Amp
- 04 - Relay assembly ¹, general purpose plug-in, 120VAC DPDT 10 Amp
- 08 - Relay assembly ¹, hermetically sealed plug-in, 24VDC DPDT 10 Amp
- 09 - Relay assembly ¹, hermetically sealed plug-in, 120VAC DPDT 10 Amp
- 05 - This number means special; specify your requirements. i.e. 3" flanged 150# RF

Option Number:

- () - Factory will assign an option number based on specified requirements.

¹ When a relay assembly is used, Class I, Div. 1, is limited to Groups C, and D.

² L471SC pressure limitation is 3,000 psi on cage.

³ Not available on L471SC.

⁴ Body style 3, 6, 7, 8 available only Type 9.

⁵ If no further requirements are desired, omit "Other" option codes from the part number.

LINC- _____ - _____ - _____ ()

Example: LINC-L471-21-05 electric level control

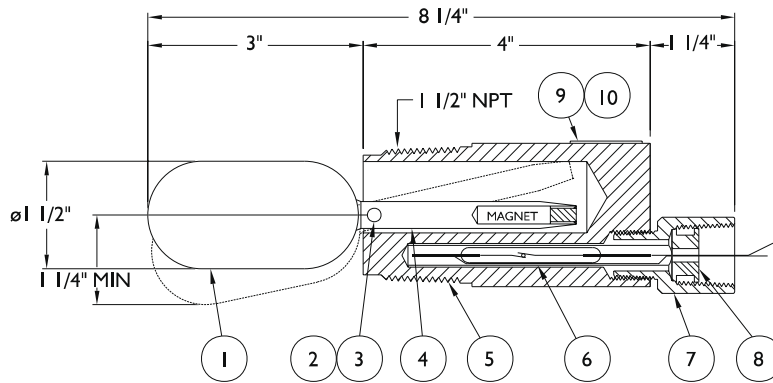
Specify: 3" - 150# RF, CS flange, 120 VAC relay

LINC
LEVEL & FLOW
SWITCHES

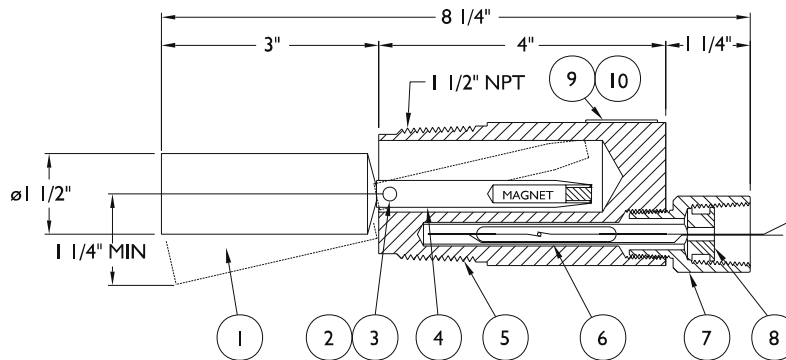
LEVEL CONTROL SWITCHES

LINC - L471 & L471SC SERIES

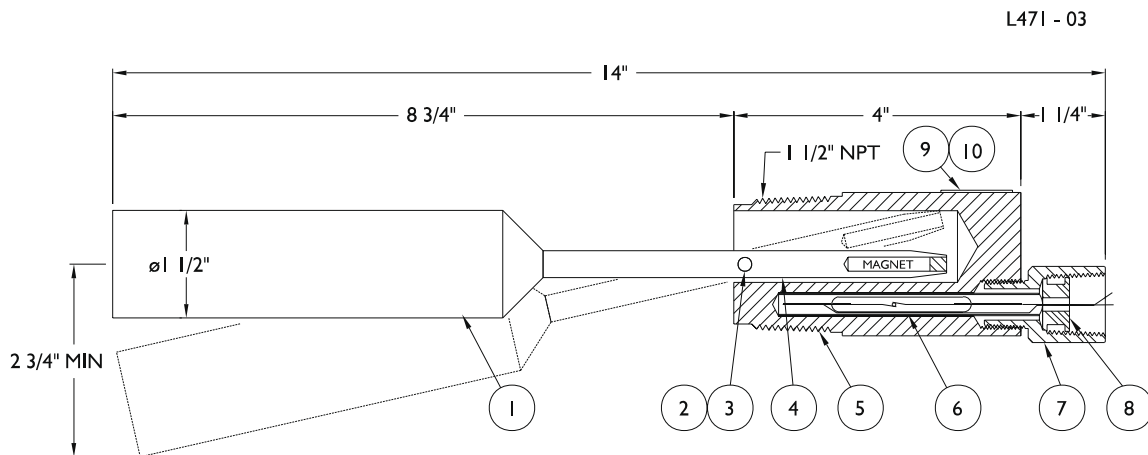
The LINC-L471 Series:
Standard Units, Diagram



L471 - 01



L471 - 02

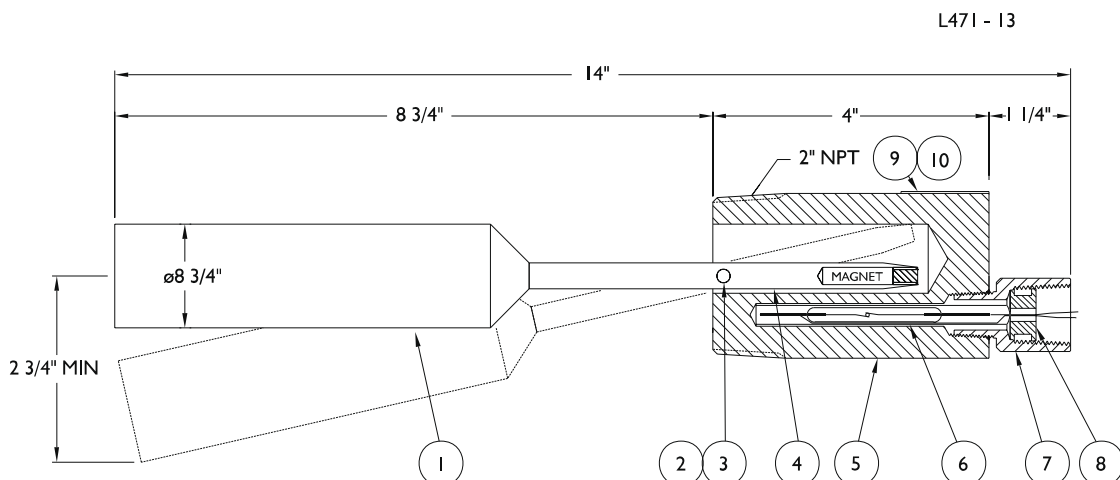
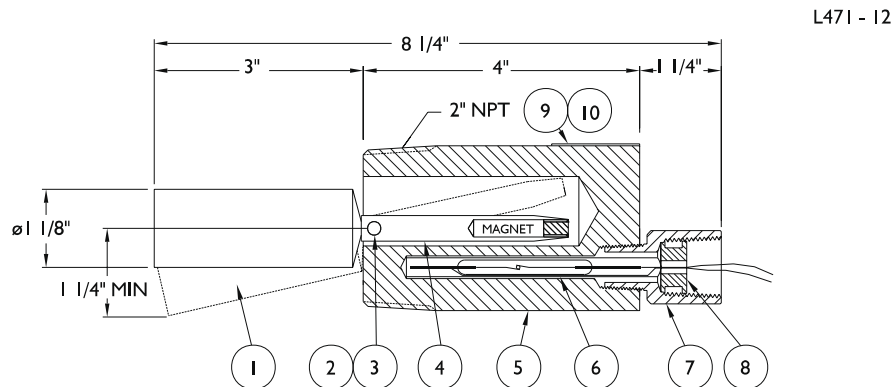
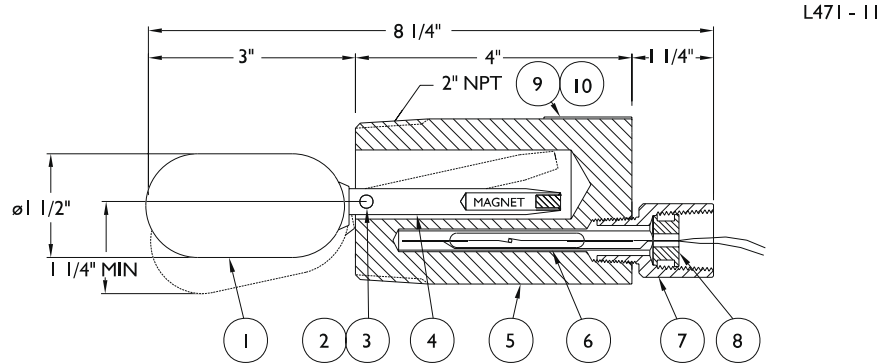


L471 - 03

LEVEL CONTROL SWITCHES

LINC - L471 & L471SC SERIES

The LINC-L471 Series:
Standard Units, Diagram



LEVEL CONTROL SWITCHES

LINC - L471 & L471SC SERIES

The LINC-L471 Series: Standard Units, Parts List

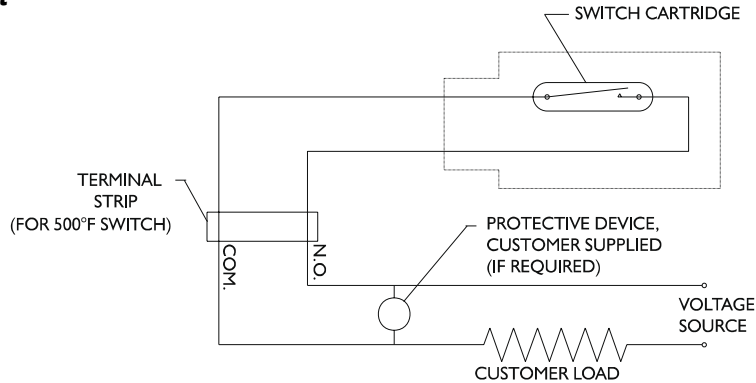
Model Item	L471-01 Part #	L471-02 Part #	L471-03 Part #	Description	Material	Qty
1	10245			Float	316 ss	1
		20149	20136	Float	Polypropylene	1
2	20120	20120	20120	Pin	316 ss	1
3	20121	20121	20121	Spacer	316 ss	1
4	20853	20853	21671	Float/Magnet Arm	316 ss	1
5	30313	30313	30313	Body	316 ss	1
6	See Chart On Page 9			Switch Cartridge	Sealed	1
7	20119	20119	20119	Conduit Adapter	303 ss	1
8	10087	10087	10087	Grommet	Nitrile	1
9	12971	10012	10012	Nameplate	316 ss	1
	10324	10324	10324	Drive Screw (not shown)	18-8 ss	2

Model Item	L471-11 Part #	L471-12 Part #	L471-13 Part #	Description	Material	Qty
1	10245			Float	316 ss	1
		20149	20136	Float	Polypropylene	1
2	20334	20334	20334	Pin	316 ss	1
3	20121	20121	20121	Spacer	316 ss	1
4	20853	20853	21671	Float/Magnet Arm	316 ss	1
5	31071	31071	31071	Body	316 ss	1
6	See Chart On Page 9			Switch Cartridge	Sealed	1
7	20119	20119	20119	Conduit Adapter	303 ss	1
8	10087	10087	10087	Grommet	Nitrile	1
9	10012	10012	10012	Nameplate	316 ss	1
10	10324	10324	10324	Drive Screw (not shown)	18-8 ss	2

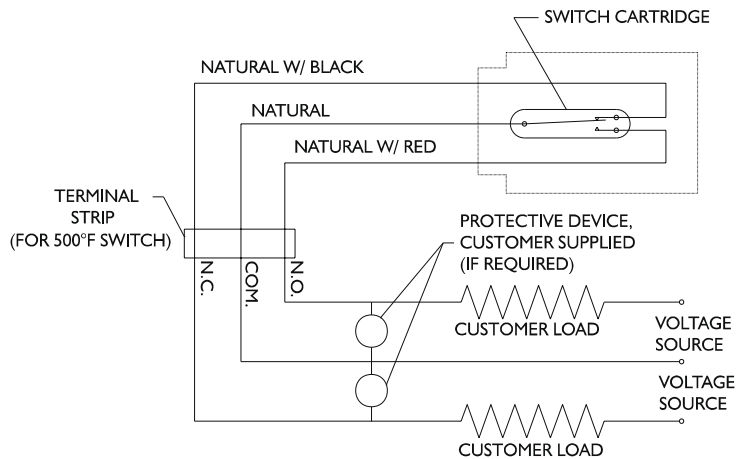
LEVEL CONTROL SWITCHES

LINC - L471 & L471SC SERIES

**The LINC-L471 Series:
High Temperature Switch Cartridges,
Diagram & Parts List**



TYPICAL ELECTRICAL SCHEMATIC FOR 400°F & 500°F SPST SWITCH



TYPICAL ELECTRICAL SCHEMATIC FOR 400°F & 500°F SPDT SWITCH

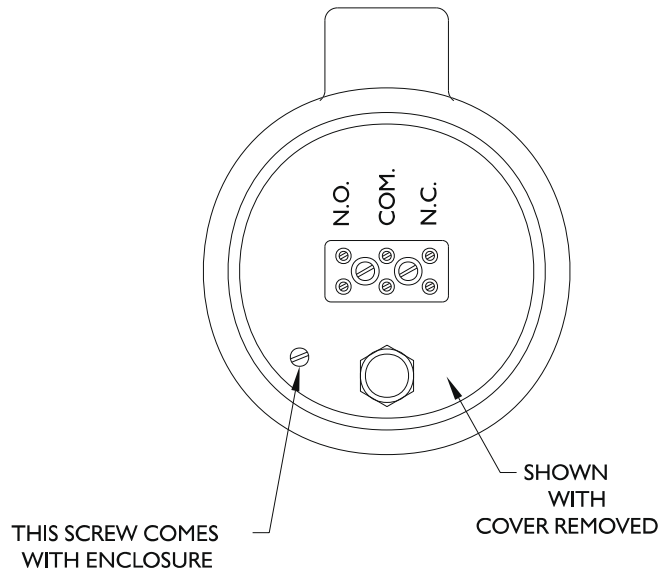
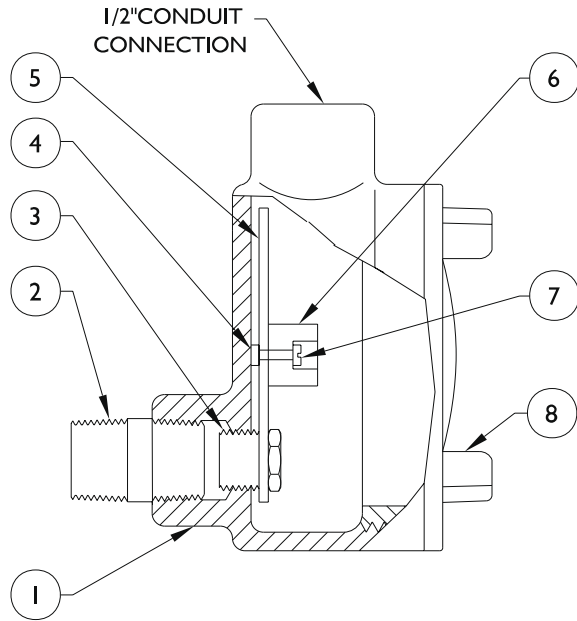
Electric Switch Cartridges

Part #	Description	Availability
20495	Switch Cartridge, SPST, 400°F rating	Standard
24834	Switch Cartridge, SPST, 500°F rating	Optional
24835	Switch Cartridge, SPDT, 500°F rating	Optional
24836	Switch Cartridge, SPDT, 400°F rating	Optional

LEVEL CONTROL SWITCHES

LINC - L471 & L471SC SERIES

The LINC-L471 Series:
High Temperature Switch Cartridges,
Diagram & Parts List

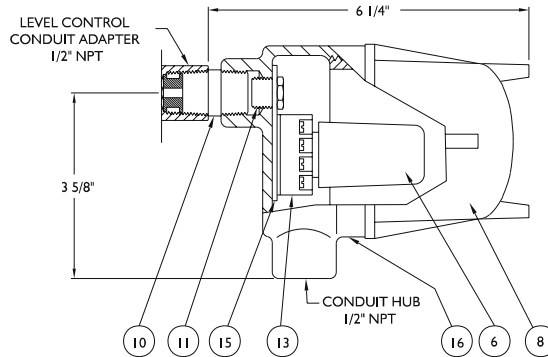


Assembly Item	24898 Part #	Enclosure Assembly Description	Qty
1	21707	Enclosure	1
2	10236	Nipple	1
3	10376	Bushing	1
4	13179	Nut	2
5	24987	Mounting Plate	1
6	13178	Ceramic Terminal Strip	1
7	13178	Screw	2
8	10739	Flat Cover	1

LEVEL CONTROL SWITCHES

LINC - L471 & L471SC SERIES

The LINC-L471 Series:
Relay Assembly,
Diagram & Parts List



Model	-03	-04	-08	-09		
Voltage	24 VDC	120 VAC	24 VDC	120 VAC		
Type	G.P.	G.P.	Sealed	Sealed		
Assembly	21591	21593	24385	24664		
Item	Part #	Part #	Part #	Part #	Description	Qty
1	10425	10239	10425	10239	Protective Device (not shown)	1
2	10420	10420	10420	10400	Insulating Tubing (not shown)	1
3	10423	10423	10423	10423	Wire Lug (not shown)	1
4	10623	10623	10623	10623	Female Terminal (not shown)	1
5	10925	10925	10925	10925	Male Terminal (not shown)	1
6	10727	10688	10086	10262	Relay	1
7	22062	22062	22062	22062	Enclosure Assembly	1

Model	-05	-05	-05	-05	-05		
Voltage	240 VAC	6 VDC	12 VDC	46 VDC	110 VDC		
Type	G.P.	G.P.	G.P.	G.P.	G.P.		
Assembly	21594	21589	21590	21592	20286		
Item	Part #	Part #	Part #	Part #	Part #	Description	Qty
1	10426	10425	10425	10425	10425	Protective Device (not shown)	1
2	10420	10420	10420	10420	10420	Insulating Tubing (not shown)	1
3	10423	10423	10423	10423	10423	Wire Lug (not shown)	1
4	10623	10623	10623	10623	10623	Female Terminal (not shown)	1
5	10925	10925	10925	10925	10925	Male Terminal (not shown)	1
6	10729	10725	10726	10728	10587	Relay	1
7	22062	22062	22062	22062	22062	Enclosure Assembly	1

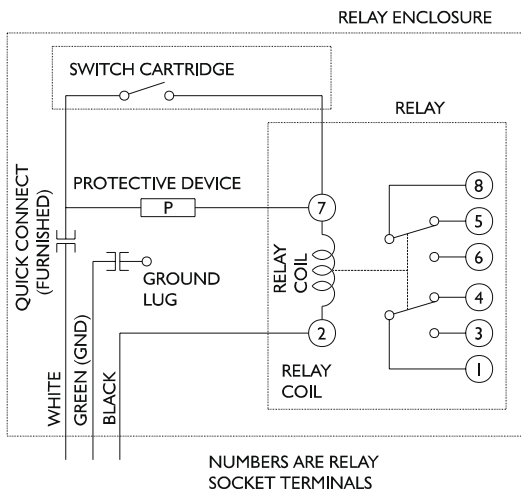
Assembly	22062	Enclosure Assembly	
Item	Part #	Description	Qty
8	10036	Cover	1
9	10189	6-32 x 3/16" Screw (not shown)	1
10	10236	Nipple	1
11	10376	Bushing	1
12	10436	6-32 x 5/8" Screw (not shown)	1
13	10472	Octal Socket	1
14	12001	Ring Terminal (not shown)	1
15	20948	Mounting Plate	1
16	21707	Enclosure	1

LEVEL CONTROL SWITCHES

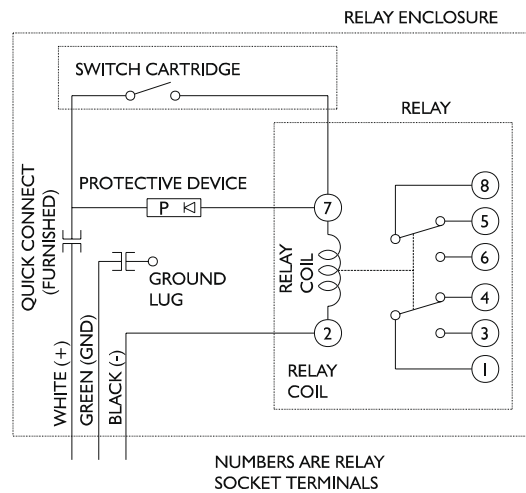
LINC - L471 & L471SC SERIES

The LINC-L471 Series: Relay Wiring Diagram & Manual Override Diagram

WIRING SCHEMATIC
FOR AC VOLTAGE, DPDT
PLUG-IN RELAY

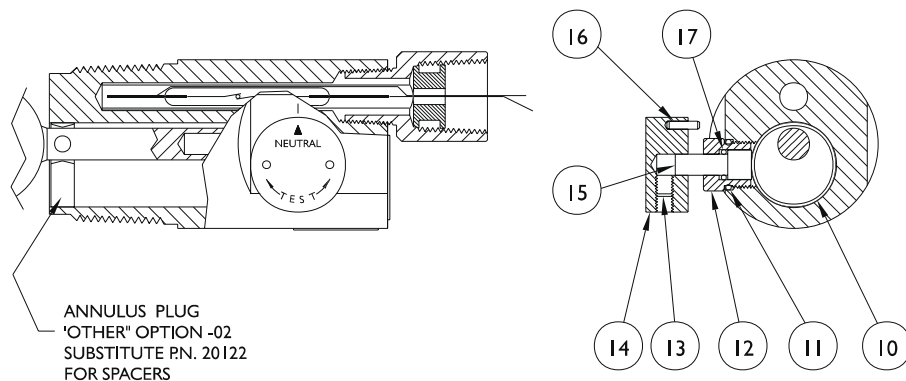


WIRING SCHEMATIC
FOR DC VOLTAGE, DPDT
PLUG-IN RELAY



STANDARD MANUAL OVERRIDE BODY STYLE -2, -4

PARTS SHOWN ARE FOR MANUAL OVERRIDE.
OTHER PARTS ARE SAME AS STANDARD UNITS.



LEVEL CONTROL SWITCHES

LINC - L471 & L471SC SERIES

The LINC-L471 Series: Standard Units, Parts List

Model Item	L471-21 Part #	L471-22 Part #	L471-23 Part #	Description	Material	Qty
1	10245			Float	316 ss	1
		20149	20136	Float	Polypropylene	1
2	20120	20120	20120	Pin	316 ss	1
3	20121	20121	20121	Spacer	316 ss	2
4	24883	24883	21671	Float/Magnet Arm	316 ss	1
5	30715	30715	30715	Body	316 ss	1
6	See Chart On Page 9			Switch Cartridge	Sealed	1
7	20119	20119	20119	Conduit Adapter	303 ss	1
8	10087	10087	10087	Grommet	Nitrile	1
9	10012	10012	10012	Nameplate	316 ss	1
10	24885	24885	24885	Ring Weldment	316 ss	1
11	10996	10996	10996	O-Ring	Fluorocarbon	1
12	22271	22271	22271	Packing Gland	316 ss	1
13	10621	10621	10621	Set Screw	18-8 ss	1
14	22577	22577	22577	Knob	303 ss	1
15	24875	24875	24875	Stem	316 ss	1
16	11192	11192	11192	Roll Pin	15-7 PH ss	3
17	10108	10108	10108	O-Ring	Fluorocarbon	1
	11193	11193	11193	Nameplate (not shown)	302 ss	1
	10324	10324	10324	Drive Screw (not shown)	18-8 ss	4

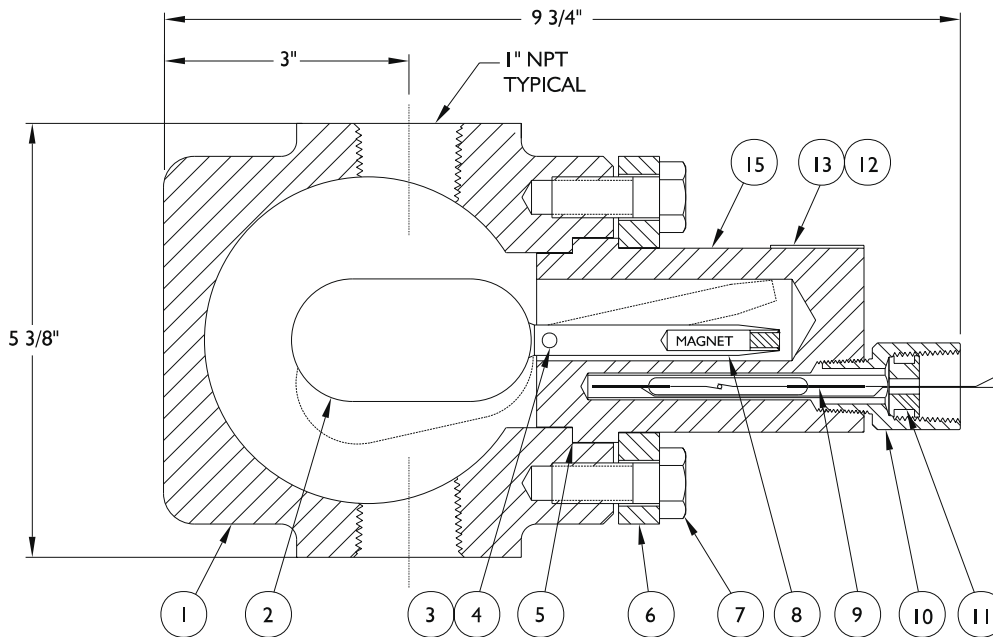
Model Item	L471-41 Part #	L471-42 Part #	L471-43 Part #	Description	Material	Qty
1	10245			Float	316 ss	1
		20149	20136	Float	Polypropylene	1
2	20334	20334	20334	Pin	316 ss	1
3	20121	20121	20121	Spacer	316 ss	1
4	24883	24883	21671	Float/Magnet Arm	316 ss	1
5	31152	31152	31152	Body	316 ss	1
6	See Chart On Page 9			Switch Cartridge	Sealed	1
7	20119	20119	20119	Conduit Adapter	303 ss	1
8	10087	10087	10087	Grommet	Nitrile	1
9	10012	10012	10012	Nameplate	316 ss	1
10	24885	24885	24885	Ring Weldment	316 ss	1
11	10996	10996	10996	O-Ring	Fluorocarbon	1
12	22271	22271	22271	Packing Gland	316 ss	1
13	10621	10621	10621	Set Screw	18-8 ss	1
14	22577	22577	22577	Knob	303 ss	1
15	24875	24875	24875	Stem	316 ss	1
16	11192	11192	11192	Roll Pin	15-7 PH ss	3
17	10108	10108	10108	O-Ring	Fluorocarbon	1
	11193	11193	11193	Nameplate (not shown)	302 ss	1
	10324	10324	10324	Drive Screw (not shown)	18-8 ss	4

LEVEL CONTROL SWITCHES

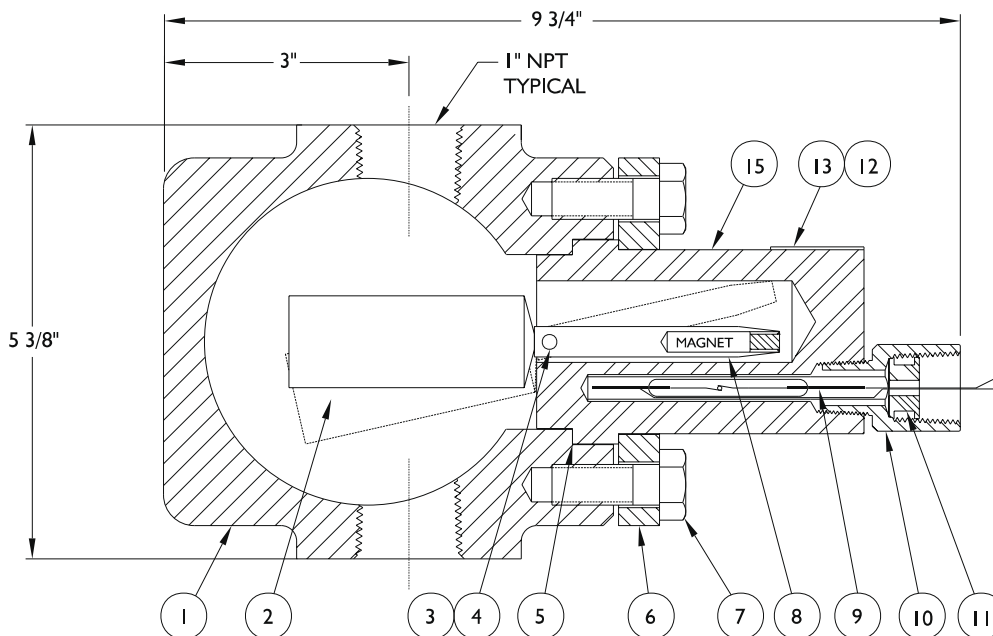
LINC - L471 & L471SC SERIES

The LINC-L471SC Series:
Standard Caged Units

L471SC-01



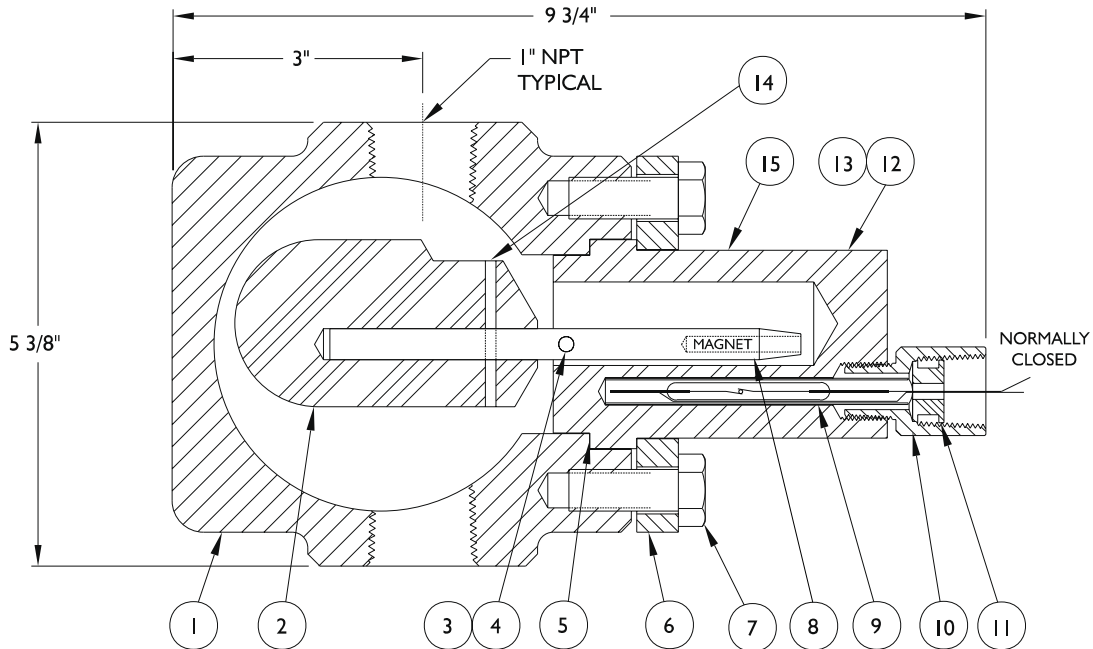
L471SC-02



LEVEL CONTROL SWITCHES

LINC - L471 & L471SC SERIES

The LINC-L471SC Series:
Standard Caged Units, Diagram & Parts List



Model LINC-L471SC-03

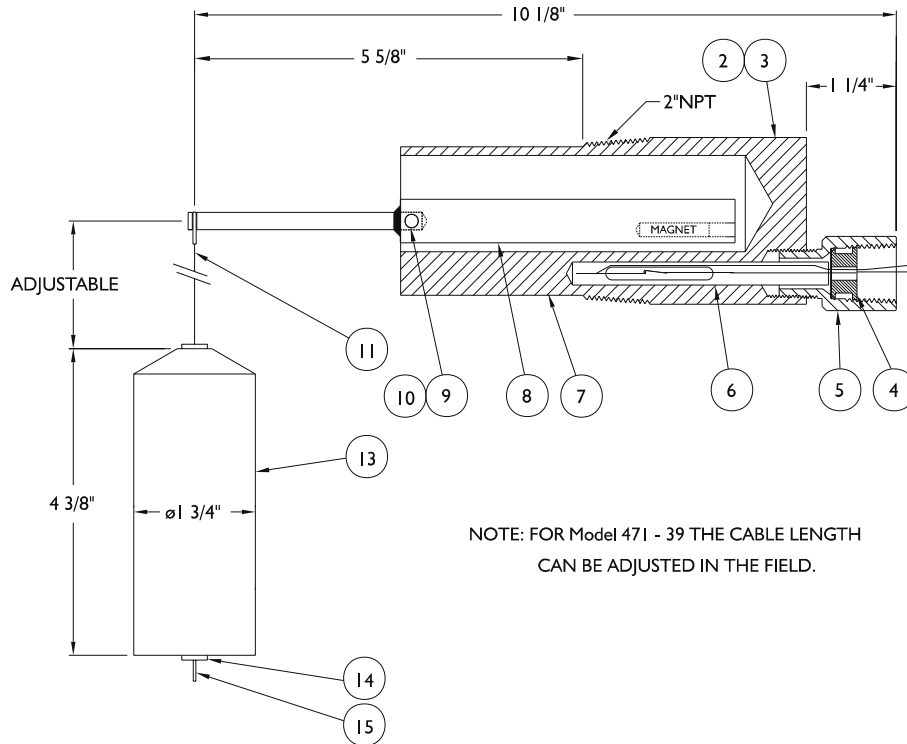
Model	L471SC-01	L471SC-02	L471SC-03	Description	Material	Qty
Item	Part #	Part #	Part #			
1	40256	40256	40256	Cage	Cast Steel	1
2	10245			Float	316 ss	1
		20149	30010	Float	Polypropylene	1
3	20334	20334	20334	Pin	316 ss	2
4	20121	20121	20121	Spacer	316 ss	1
5	11257	11257	11257	Gasket	PTFE	1
6	30258	30258	30258	Ring Flange	Steel	1
7	11216	11216	11216	Cap Screw	Plated, B7	6
8	20853	20853	21518	Float/Magnet Arm	316 ss	1
9	See Chart On Page 9			Switch Cartridge	Sealed	1
10	20119	20119	20119	Conduit Adapter	303 ss	1
11	10087	10087	10087	Grommet	Nitrile	1
12	10013	10013	10013	Nameplate	316 ss	1
13	10324	10324	10324	Drive Screw	18-8 ss	2
14			10663	Pin	15-7 PH ss	1
15	30282	30282	30282	Body	316 ss	1

LEVEL CONTROL SWITCHES

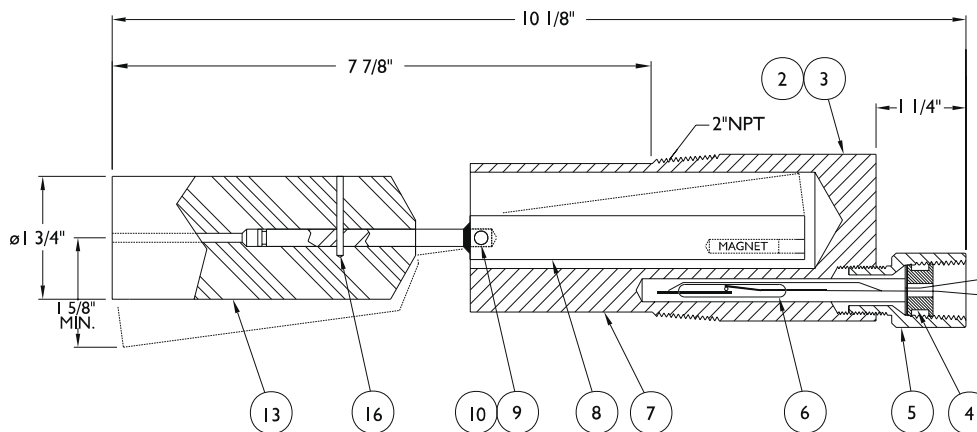
LINC - L471 & L471SC SERIES

The LINC-L471 Series:
Extended Body, Diagram

L471-39



L471-79



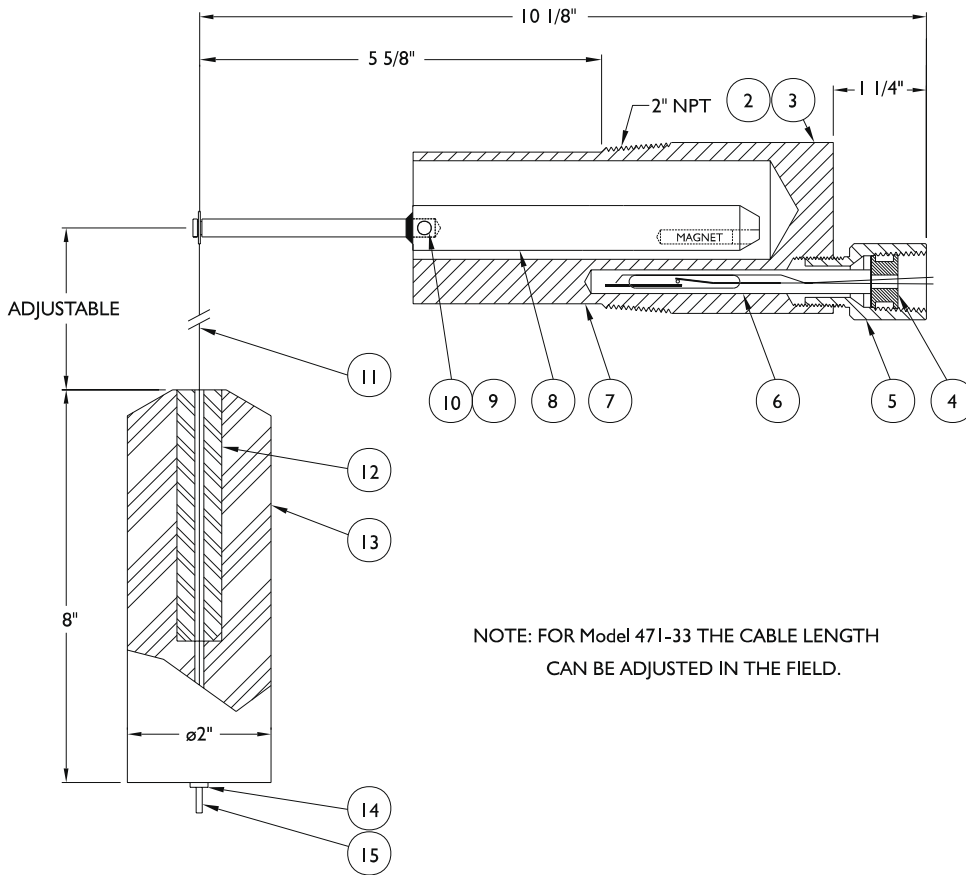
LEVEL CONTROL SWITCHES

LINC - L 4 7 1 & L 4 7 1 S C S E R I E S

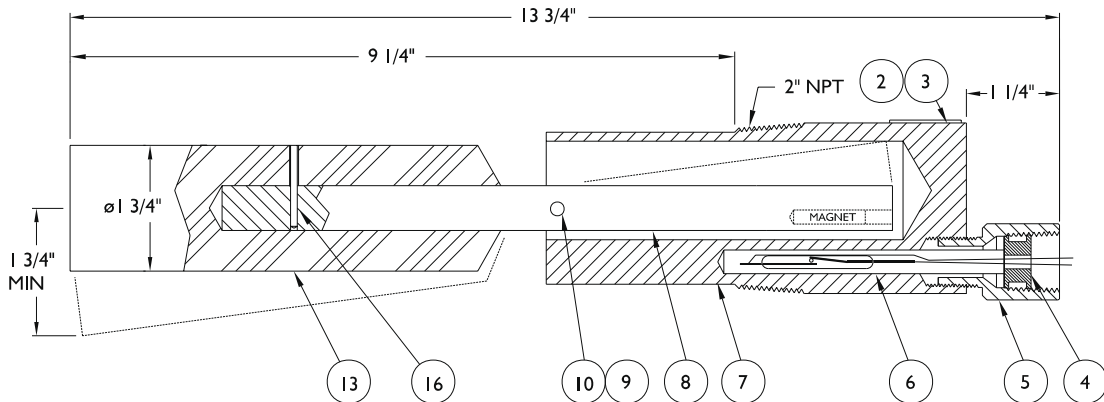
The LINC-L471 Series:
Extended Body, Diagram

L471 ELECTRIC LEVEL CONTROLS

L471 - 33



L471 - 73

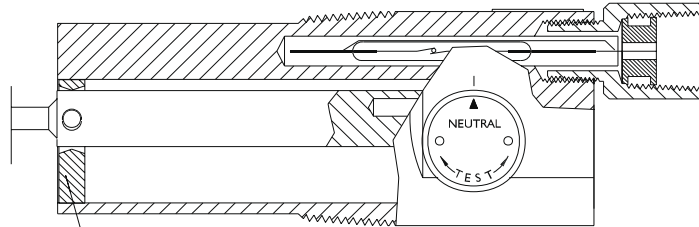


LEVEL CONTROL SWITCHES

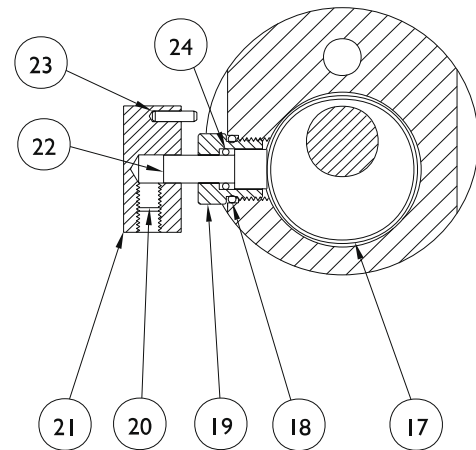
L I N C - L 4 7 1 & L 4 7 1 S C S E R I E S

**The LINC-L471 Series:
Extended Body, Manual Override**

BODY STYLE -6, -8



ANNULUS PLUG
"OTHER" OPTION -02
SUBSTITUTE P.N. 23655
FOR SPACERS



PARTS SHOWN ARE FOR MANUAL OVERRIDE.
OTHER PARTS ARE SAME AS STANDARD UNIT.

LEVEL CONTROL SWITCHES

LINC - L471 & L471SC SERIES

The LINC-L471 Series:

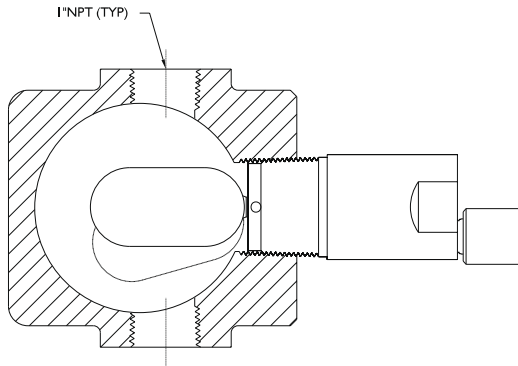
Extended Body Styles -3, -6, -7, -8, Parts List

Model Item	L471-39 Part #	L471-79 Part #	L471-33 Part #	L471-73 Part #	Description	Material	Qty
1					Nameplate (not shown)		1
2	10012	10012	10012	10012	Nameplate	316 ss	1
3	10324	10324	10324	10324	Drive Screw	18-8 ss	2
4	10087	10087	10087	10087	Grommet	Nitrile	1
5	20119	20119	20119	20119	Conduit Adapter	303 ss	1
6	See Chart On Page 9				Switch Cartridge	Sealed	1
7	31079	31079	31079	31079	Body	316 ss	1
8	23540	23540	23540	24401	Float/Magnet Arm	316 ss	1
9	20334	20334	20334	20334	Pin	316 ss	1
10	23604	23604	23604	23604	Spacer	316 ss	2
11	11566		11566		Wire Cable	18-8 ss	24"
12			24181		Weight	316 ss	1
13	23503	23503	24182	24400	Displacer	Polypropylene	1
14	23500		23500		Stop Ring	316 ss	1
15	11565		11565		Crimp	18-8 ss	3
16		10663		10663	Pin	15-7 PH ss	1

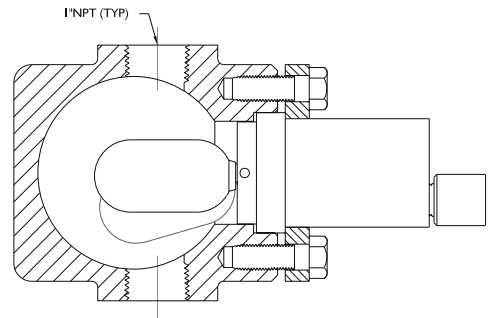
Model Item	L471-69 Part #	L471-89 Part #	L471-63 Part #	L471-83 Part #	Description	Material	Qty
1	11193	11193	11193	11193	Nameplate (not shown)	302 ss	1
2	10012	10012	10012	10012	Nameplate	316 ss	1
3	10324	10324	10324	10324	Drive Screw	18-8 ss	4
4	10087	10087	10087	10087	Grommet	Nitrile	1
5	20119	20119	20119	20119	Conduit Adapter	303 ss	1
6	See Chart On Page 9				Switch Cartridge	Sealed	1
7	31265	31265	31265	31265	Body	316 ss	1
8	24083	24083	24083	25134	Float/Magnet Arm	316 ss	1
9	20334	20334	20334	20334	Pin	316 ss	1
10	23604	23604	23604	23604	Spacer	316 ss	2
11	11566		11566		Wire Cable	18-8 ss	24"
12			24181		Weight	316 ss	1
13	23503	23503	24182	24400	Displacer	Polypropylene	1
14	23500		23500		Stop Ring	316 ss	2
15	11565		11565		Crimp	18-8 ss	3
16		10663		10663	Pin	15-7 PH ss	1
17	24887	24887	24887	24887	Ring Weldment	316 ss	1
18	10996	10996	10996	10996	O-Ring	Fluorocarbon	1
19	22271	22271	22271	22271	Packing Gland	316 ss	1
20	10621	10621	10621	10621	Set Screw	18-8 ss	1
21	22577	22577	22577	22577	Knob	303 ss	1
22	24875	24875	24875	24875	Stem	316 ss	1
23	11192	11192	11192	11192	Roll Pin	15-7 PH ss	3
24	10108	10108	10108	10108	O-Ring	Fluorocarbon	1

LEVEL CONTROL SWITCHES

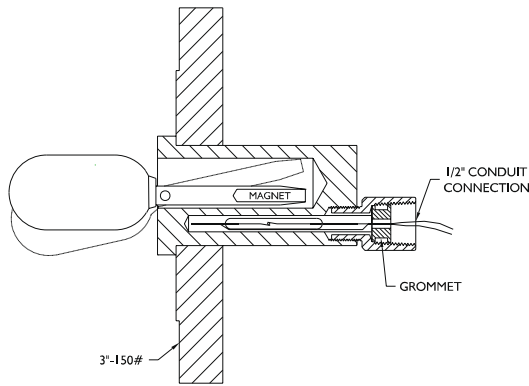
STANDARD UNIT OPTIONS



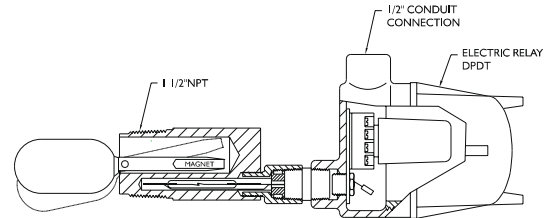
L471-01 and 700 Series Cage
Compact external cage available in steel or stainless steel.



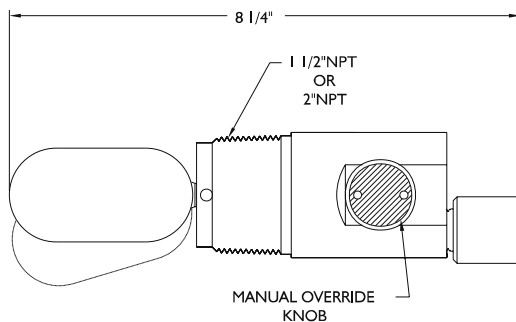
L471SC-01 Ring Bolted
This ring bolt configuration eliminates the pipe threads on control mount and this meets API- RP14E Specifications.



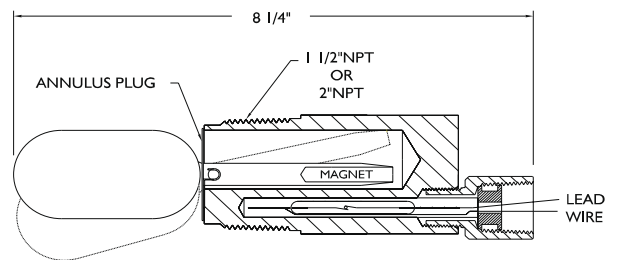
L471-01-05 Flanged
Flanged units are available in 3" and larger at all pressure ratings.



L471-01-03 Relay
Relay assembly gives DPDT contacts. Available on all models.



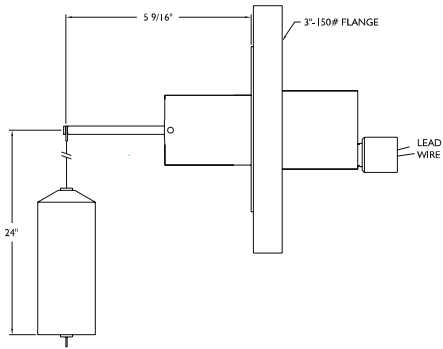
L471-21 Manual Override
Turning the external knob causes the float arm to move, closing and opening the switch.



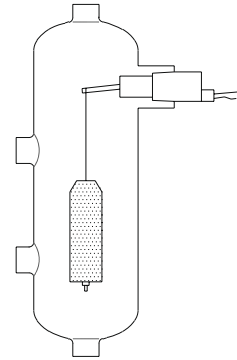
L471-01-02 Annulus Plug
The Annulus Plug prevents foreign material from getting into the cavity. Available on all models.

LEVEL CONTROL SWITCHES

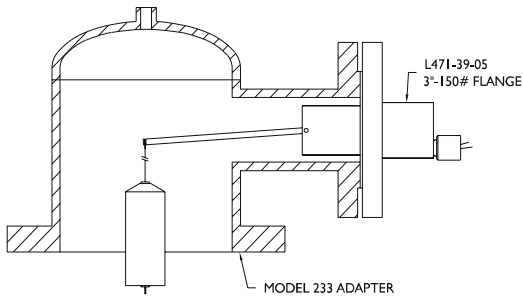
OPTIONAL CONFIGURATIONS



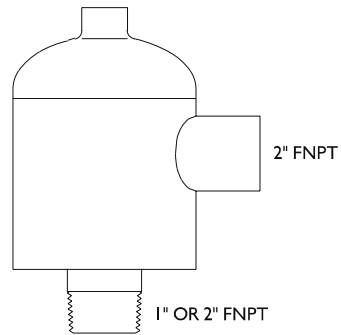
L471-39-05 Flanged Model
Distance from horizontal center line of control to displacer is field adjustable.



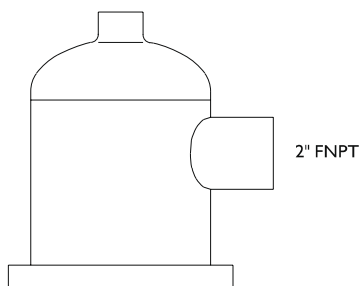
Choice of threaded, beveled or flanged process connections.



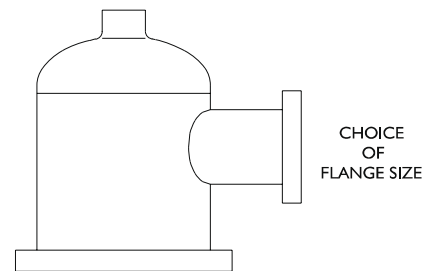
L471-39-05 with Model 233 Adapter



Model 221



Model 223



Model 233

LEVEL CONTROL SWITCHES

L I N C - L V 4 7 1 & L 9 7 1 S E R I E S

The LINC-LV471 & L971 Series: Electric Level Control Switches



L971



LV471

LV471 Application:

These controls are used as a high or low level control to sound alarms, operate control equipment or perform a variety of desired electrical functions. These controls will operate in any specific gravity of 0.7 or higher. The standard unit has a 3" O.D. sphere float and is rated at 250 psi. The standard float arm is 4" long. Various floats and float arm lengths are available to fit your application. These controls are available with a normally closed or normally open switch arrangement. This unit is installed through a 1-1/2" NPT fitting and the float is attached with a cotter key after the body is screwed into place. Various flanged models are also available to meet your specifications.

L971 Extended, Horizontal Body Application:

These controls are used as a high or low level control. The electrical switch closure may be used to sound alarms, operate control equipment or perform any desired electrical function. These standard units are installed through a 1" NPT fitting. The standard float is a solid, high-density polypropylene material and will operate in specific gravities of 0.6 or higher. Due to the length of the float, these controls must have 3" of vertical clearance for the unit to operate. This control is available in a wide variety of designs to meet any specific requirements.

Benefits:

- Easy to Repair.....
- No Leaks.....
- Lower Operating Costs.....
- Lower Inventory.....
- Versatile.....
- Safe.....
- Corrosion Resistant.....
- Optional Corrosion Resistant Materials...
- Reliable.....
- High & Low Pressure Applications...

Features:

- Repairs on-site in 20 minutes with the Quick-Change switch cartridge
- Environmentally-isolated design keeps operational fluids away from electrical circuitry
- Quick-Change, inexpensive replacement parts
- LV471 and L971 serve both High & Low level applications
- Optional with the LV471 is the choice of normally open or normally closed switch positions
- One L971 Provides both normally open, and normally closed switching by simply inverting the L971's position
- Certified as explosion-proof¹ for Hazardous Locations: Class I, Div. 1, Groups A, B, C, D; Class II, Div. 1, Groups E, F, G; and Class III, Div. 1, by CSA a Nationally Recognized Testing Laboratory in the U.S. and Canada
- Standard 316 Stainless Steel wetted and housing components for corrosion resistance
- Monel, Teflon Coated, Hastelloy C, and Alloy 20
- Sealed switch cartridge prevents dust, fluids, and corrosion from interfering with electrical circuitry
- Available with Stainless Steel and Polypropylene displacer options for various process pressures

¹ When a relay assembly is used, Class I, Div. 1, is limited to Groups C, and D.

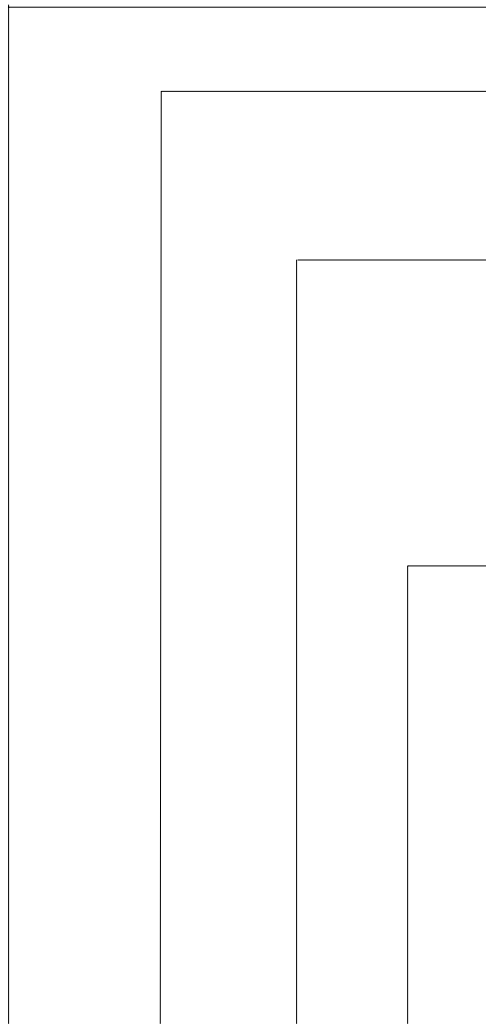
LEVEL CONTROL SWITCHES

LINC - LV471 & L971 SERIES

Specifications: LV471 Vertical Series & L971 Extended Body Series Electric Level Control Switches

Series:	LV471 Vertical	L971 Horizontal Extended Body Series
Pressure:	250 psi	2,500 psi
Temperature:	-40°F to + 400°F standard, with 500°F optional	-40°F to + 180°F, with 500°F optional
Specific Gravity:	0.7 minimum	0.6 minimum
Materials:	316 stainless steel wetted parts	Displacer is polypropylene. Other wetted parts 316ss
Connections:		
Process:	1-1/2" NPT vertical, available flanged, specify type	1" NPT std., available in 1-1/2" NPT or flanged, specify
Electrical:	1/2" conduit, with other sizes optional	1/2" conduit, with other sizes optional
Switch Rating:	SPST (SPDT optional) 100 V.A. AC, 100W DC, 3 amp inrush capability, maximum of 250 Volts, Hermetically sealed	
CSA Certification:	Listed as explosion-proof for Class I, Div. 1, Groups A, B, C, D ² ; Class II, Div. 1, Groups E, F, G; and Class III, Div. 1	

Ordering Chart:



Series:

- LV471 - Vertical electric level control
- L971 - Horizontal electric level control

Body Style:

- 03 - Standard unit, 1 1/2" NPT, normally open (LV471 only)
- 13 - Optional unit, 2" NPT, normally open (LV471 only)
- 04 - Standard unit, 1 1/2" NPT, normally closed (LV471 only)
- 14 - Optional unit, 2" NPT, normally closed, (LV471 only)
- 01 - Standard unit, 1" NPT (L971 only)

Other¹:

- 03 - Relay assembly², general purpose plug-in, 24VDC DPDT 10 Amp
- 04 - Relay assembly², general purpose plug-in, 120VAC DPDT 10 Amp
- 08 - Relay assembly², hermetically sealed plug-in, 24VDC DPDT 10 Amp
- 09 - Relay assembly², hermetically sealed plug-in, 120VAC DPDT 10 Amp
- 05 - This number means special; specify your requirements. i.e. 3" flanged 150# RF

Option Number:

- () - Factory will assign an option number based on specified requirements.

¹ If no further requirements are desired, omit "Other" option codes from the part number.

² When a relay assembly is used, Class I, Div. 1, is limited to Groups C, and D.

LINC- _____ - _____ - _____ ()

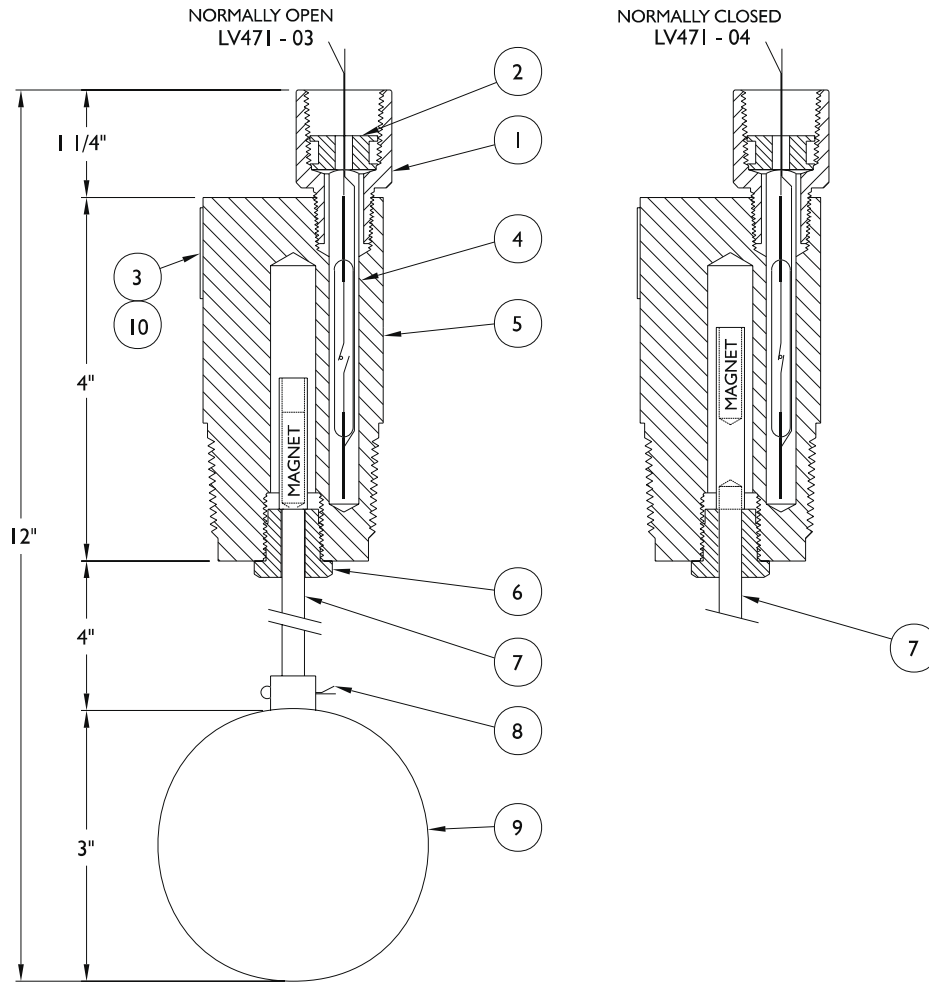
Example: LINC-LV471-04-05 electric level control

Specify: 3" - 150# RF, CS flange, 10" arm extension, 120 VAC relay

LEVEL CONTROL SWITCHES

LINC - LV 471 & L 971 SERIES

The LINC-LV471 Series:
Standard Units, Diagram and
Parts List



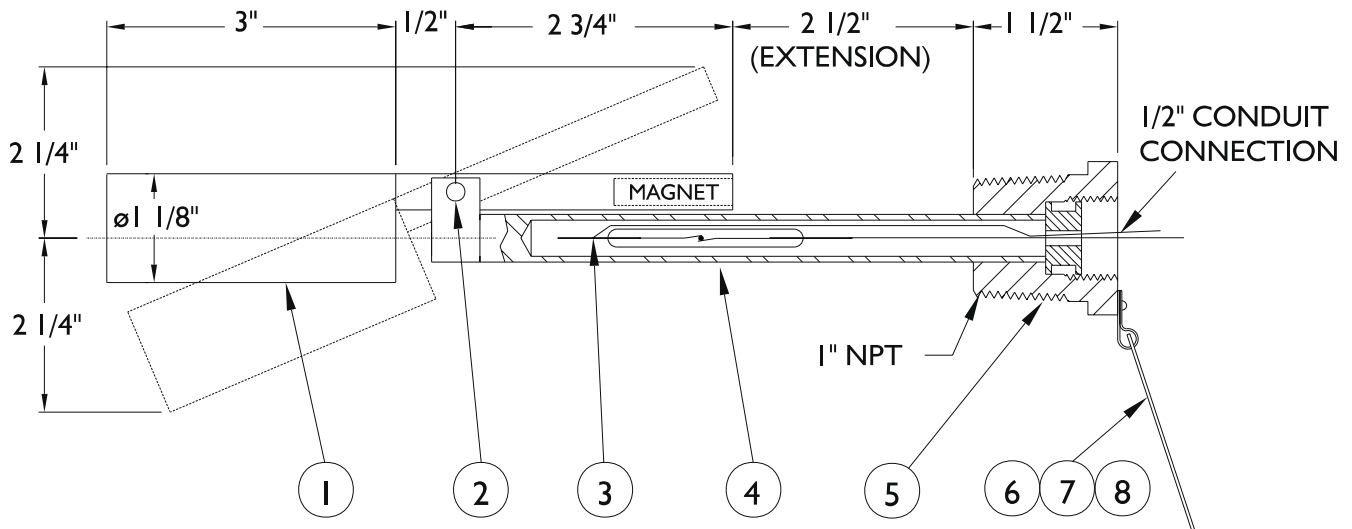
Model	LV471-03	LV471-04	LV471-13	LV471-14	Description	Material	Qty
Item	Part #	Part #	Part #	Part #			
1	20119	20119			Conduit Adapter	303 ss	1
2	10087	10087			Grommet	Nitrile	1
3	10012	10012			Nameplate	316 ss	1
4	See Chart On Page 9				Switch Cartridge	Sealed	1
5	30316	30316	31156	31156	Body	316 ss	1
6	20152	20152			Float Arm Retainer	316 ss	1
7	20446	20444			Float Arm Assembly	316 ss	1
8	10237	10237			Cotter Pin	18-8 ss	1
9	10250	10250			Float	316 ss	1
10	10324	10324			Drive Screw	18-8 ss	2

LEVEL CONTROL SWITCHES

LINC - LV 471 & L971 SERIES

The LINC-L971 Series:
Standard Units, Diagram and
Parts List

L971-01



Model	L971-01				
Item	Part #	Description	Material	Qty	
1	21161	Arm Assembly (Displacer & Magnet Arm)	Polypropylene	1	
2	21001	Pivot Pin	316 ss	1	
3	20416	Switch Cartridge	Sealed	1	
4	30117	Body	316 ss	1	
5	10087	Grommet	Nitrile	1	
6	12972	Nameplate	316 ss	1	
7	13060	Drive Screw	18-8 ss	1	
8	13061	Loop Clamp	18-8 ss	1	

LEVEL CONTROL SWITCHES

L I N C - 2 8 2 & 2 8 2 S C S E R I E S

The LINC-282 & LINC-282SC Series: Snap Acting, Non-Bleed Pneumatic Level Control Switches



Application:

These units are used as a level control or as a high or low level alarm. The pneumatic output can be used to operate valves, sound alarms or perform any other desired pneumatic function. Any liquid or liquid interface can be monitored.

Operation:

As the float is moved by varying liquid height, a magnet in the float arm is moved. The magnet operates the 282's three-way, two-position cartridge. The output is snap-acting from 0 psi to full supply pressure or conversely, on float movement.

The arm containing the magnet also acts as a counterweight for the float. As a result, the float is small and can operate in liquids with a specific gravity of 0.5 or higher. This small float permits economical installation where other types of controls would be cost prohibitive.

Direct acting (increase in liquid level increases output) or indirect acting (increase in liquid level decreases output) is selected simply by changing the supply pressure and exhaust connections.

Benefits:

- Easy to Repair.....
- Easy to Field Test.....
- No Leaks.....
- Lower Operating Costs.....
- Lower Inventory.....
- Safe.....
- Corrosion Resistant.....
- Optional Corrosion Resistant Materials.....
- High & Low Pressure Applications.....

Features:

- Repairs on-site in 20 minutes with the Quick-Change pneumatic cartridge
- The Manual Override option enables mechanical and pneumatic function testing while installed
- Environmentally-isolated design keeps operational fluids away from supply gas
- Quick-Change replacement parts
- Non-Bleed output saves gas
- Direct or indirect acting by changing the supply and exhaust ports
- Use One 282 on either high or low level activation
- Pneumatic activation in an environmentally-isolated design
- Standard 316 Stainless Steel wetted and housing components for corrosion resistance
- Monel, Kynar, Teflon, Teflon Coated, Hastelloy C, PVC, Polypropylene, and Alloy 20
- Available with Stainless Steel and Polypropylene displacer options for various process pressures

LEVEL CONTROL SWITCHES

LINC - 282 & 282SC SERIES

Specifications: LINC-282 & LINC-282SC Series Pneumatic Level Controls

Output:	Non-bleed, snap-acting	
Pressure:	Working: 1,500 psi std., available to 5,000 psi, (1,500 psi maximum with the Manual Override option)	
	Supply: 30, 60, 100 psi std.	
	Output: 0-30, 0-60, 0-100 psi	
Temperature:	-40°F to +450°F	
Specific Gravity:	0.5 minimum standard, interface 0.1 differential minimum	
Materials:	316 stainless steel standard, other austenitic metals and plastics available	
Flow Rate:	40 SCFH at 30 psi, with 30 psi cartridge	
Connections:	Process:	2" NPT standard, available 1 1/2" NPT, 3" flanged or larger, and externally caged
	Supply:	1/4" NPT
	Output:	1/4" NPT

Ordering Chart:

	Series:	282 - Pneumatic level control
		282SC- Externally caged pneumatic level control, ring bolted (available on body style "0" only)
	Body Style:	0 - Ring bolted, 1,500 psi WP standard, 3,000 psi WP available only in the 282SC model
		1 - Standard, 2" NPT
		2 - Standard, 2" NPT with manual override
		3 - Extended 1', 2" NPT, vertical displacer
		6 - Extended 1', 2" NPT, vertical displacer, manual override
		7 - Extended 1', 2" NPT, horizontal displacer
		8 - Extended 1', 2" NPT, horizontal displacer, manual override
	Type:	1 - Standard
		2 - High pressure, 5,000 psi polypropylene displacer, temperature +180°F max, specific gravity 0.6 min.
		3 - Interface, 5,000 psi polypropylene displacer, temperature +180°F max, upper fluid less than: .870 specific gravity; lower fluid more than: .970 specific gravity.
		4 - Other gravities for interface, specify gravities of fluids (upper & lower)
		9 - Displacer, 5,000 psi polypropylene displacer, temperature +180°F max, specific gravity 0.5 min.
	Supply Pressure:	1 - Maximum, 30 psi, flow rate at 30 psi, 40 scfh
	2 - Maximum, 60 psi, flow rate at 30 psi, 25 scfh	
	3 - Maximum, 100 psi, flow rate at 30 psi, 15 scfh	
Other²:	0 - None	
	2 - Annulus plug	
	5 - This number means special; specify your requirements. i.e. 3" flanged 150# RF	
Option Number:	() - Factory will assign an option number based on specified requirements.	

LINC- - - - - ()

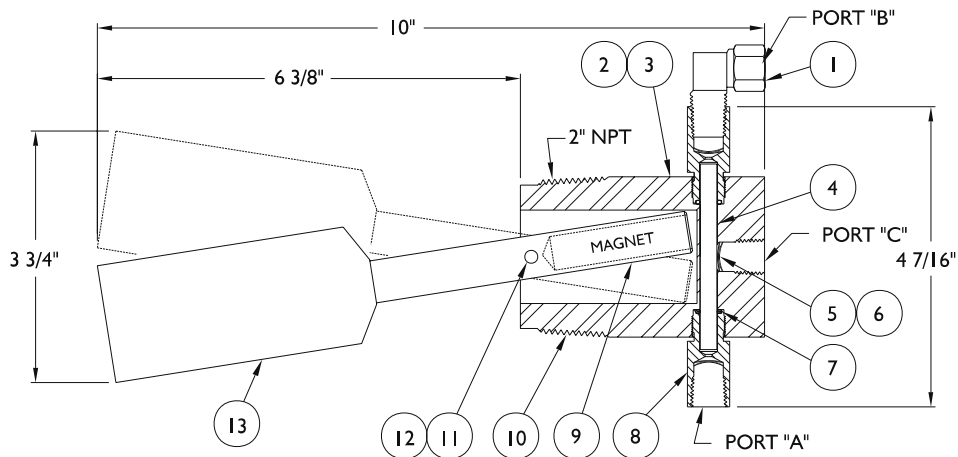
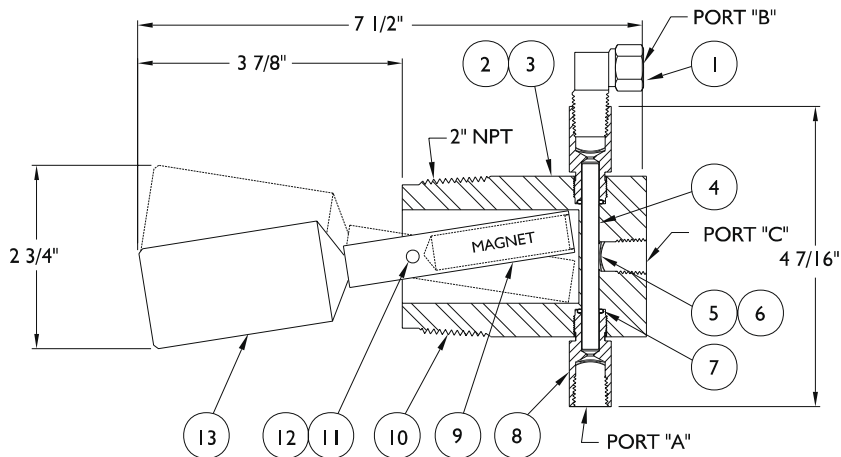
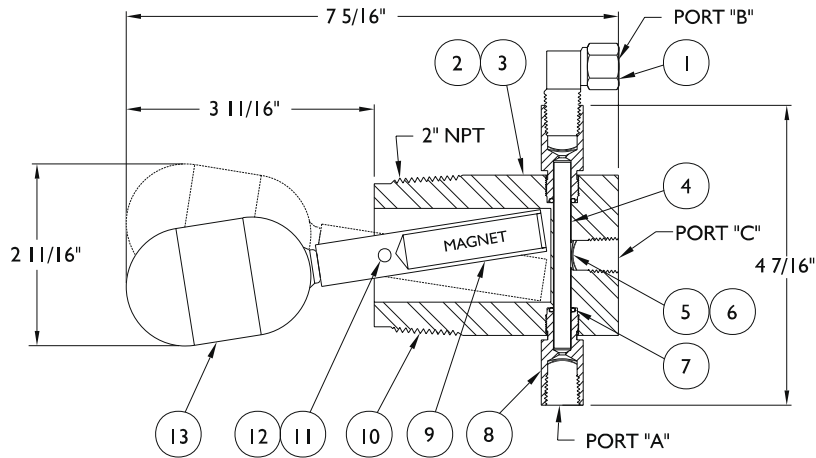
Example: LINC-282-11-15 pneumatic level control
Specify: 3" - 150# RF, CS flange

¹ Body style 3, 6, 7, 8 available only Type 9.
² If no further requirements are desired, omit "Other" option codes from the part number.
Example: 282-11-10

LEVEL CONTROL SWITCHES

L I N C - 2 8 2 & 2 8 2 S C S E R I E S

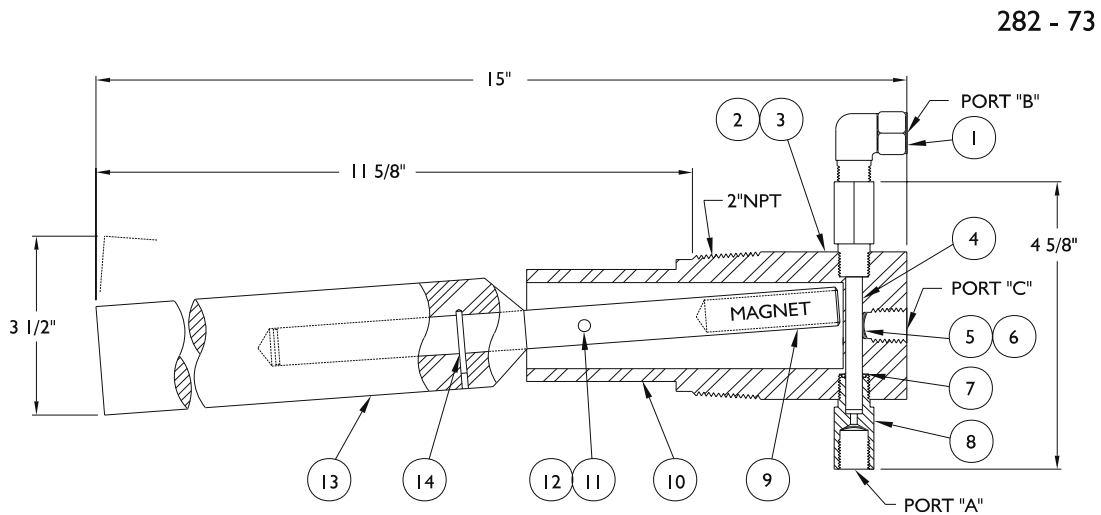
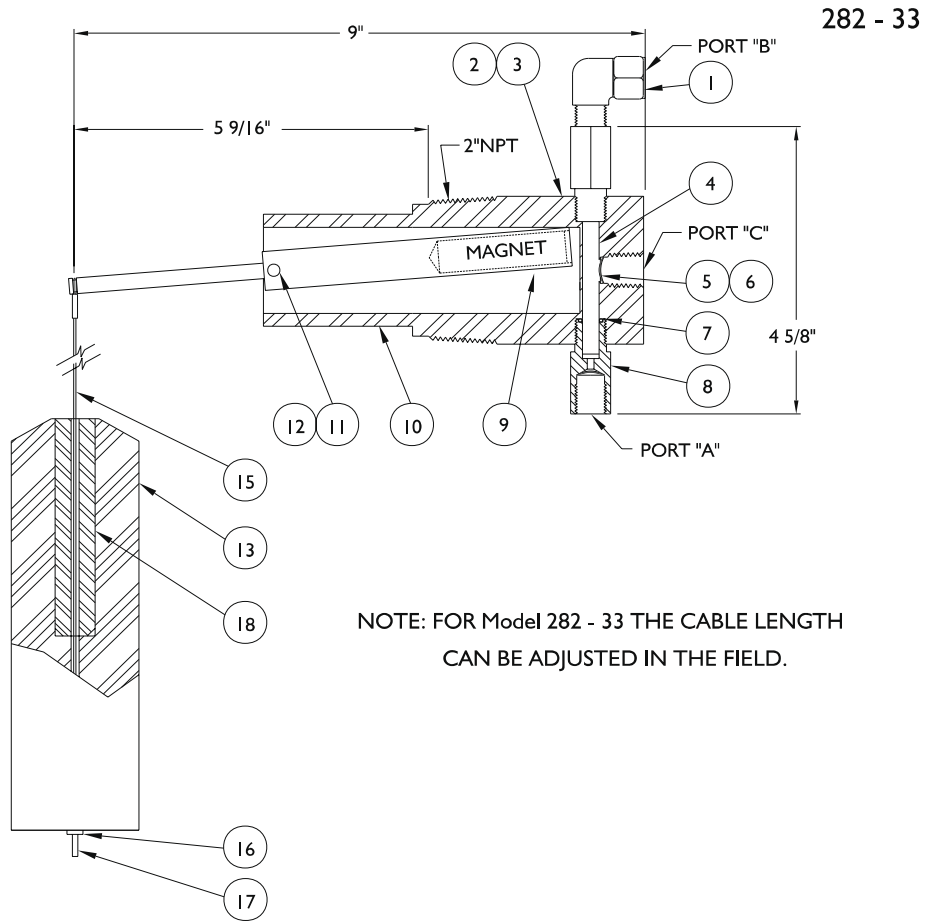
The LINC-282 Pneumatic Series:
Standard Unit, Diagram



LEVEL CONTROL SWITCHES

LINC - 282 & 282 SC SERIES

The LINC-282 Pneumatic Series:
Standard Unit, Diagram

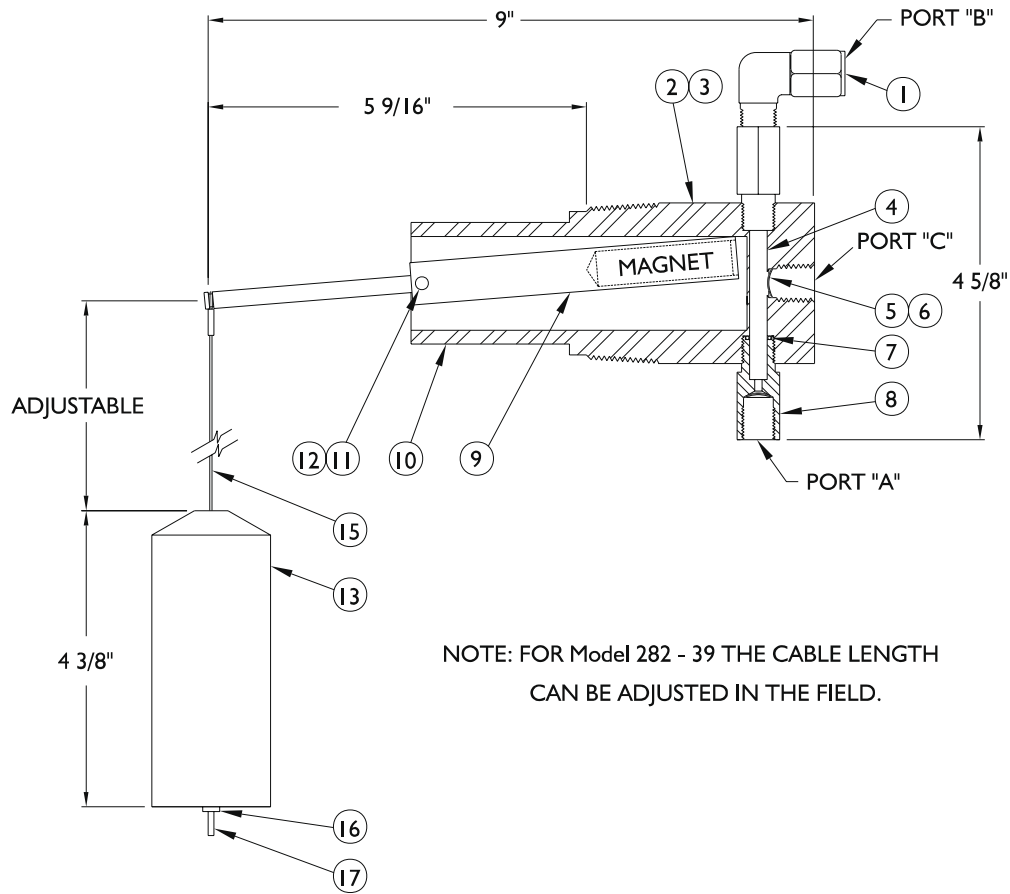


LEVEL CONTROL SWITCHES

L I N C - 2 8 2 & 2 8 2 S C S E R I E S

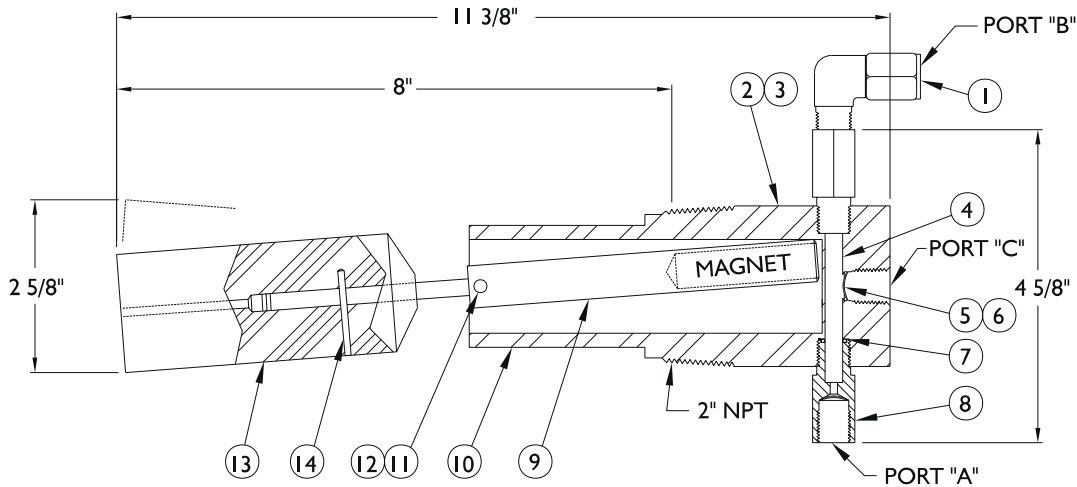
The LINC-282 Pneumatic Series:
Extended Body, Diagram

282 PNEUMATIC LEVEL CONTROL



282 - 39

282 - 79



LEVEL CONTROL SWITCHES

LINC - 282 & 282 SC SERIES

The LINC-282 Pneumatic Series: Parts List

Model	282-11	282-12	282-13			
Item	Part #	Part #	Part #	Description	Material	Qty
1	23339	23339	23339	Vent Assembly	Brass	1
2	10998	10998	10998	Nameplate	316 ss	1
3	10324	10324	10324	Drive Screw	18-8 ss	2
4	See Chart Below			Switch Cartridge		
5	11006	11006	11006	Filter	18-8 ss	3
6	10403	10403	10403	Retaining Screen	18-8 ss	3
7	10108	10108	10108	O-Ring	Fluorocarbon	2
8	22451	22451	22451	Port Adapter	303 ss	2
9	22068	22068	22166	Float/Magnet Arm	316 ss	1
10	30816	30816	30816	Body	316 ss	1
11	20334	20334	20334	Pin	316 ss	1
12	22066	22066	22066	Spacer	316 ss	2
13	13217			Float/Displacer	316 ss	1
		20892	20898	Float/Displacer	Polypropylene	1

Model	282-33	282-39	282-73	282-79			
Item	Part #	Part #	Part #	Part #	Description	Material	Qty
1	23339	23339	23339	23339	Vent Assembly	Brass	1
2	10998	10998	10998	10998	Nameplate	316 ss	1
3	10324	10324	10324	10324	Drive Screw	18-8 ss	2
4	See Chart Below				Switch Cartridge		1
5	11006	11006	11006	11006	Filter	18-8 ss	3
6	10403	10403	10403	10403	Retaining Screen	18-8 ss	3
7	10108	10108	10108	10108	O-Ring	Fluorocarbon	2
8	22451	22451	22451	22451	Port Adapter	303 ss	2
9	31074	31074	31113	31074	Float/Magnet Arm	316 ss	1
10	31072	31072	31072	31072	Body	316 ss	1
11	23537	23537	23537	23537	Pin	316 ss	1
12	22066	22066	22066	22066	Spacer	316 ss	2
13	24182	23503	23512	23503	Float/Displacer	Polypropylene	1
14	11571	11571	11571	11571	Pin	15-7 PH ss	1
15	11566	11566			Wire	18-8 ss	24"
16	23500	23500			Stop Ring	316 ss	2
17	11565	11565			Crimp	18-8 ss	3
18	24181				Weight	316 ss	1

Pneumatic Switch Cartridge

Part #	Model Option	Description
22935	-1	0-30 PSI Switch
22936	-2	0-60 PSI Switch
22899	-3	0-100 PSI Switch

All 282 Ports are 1/4" NPT Female.

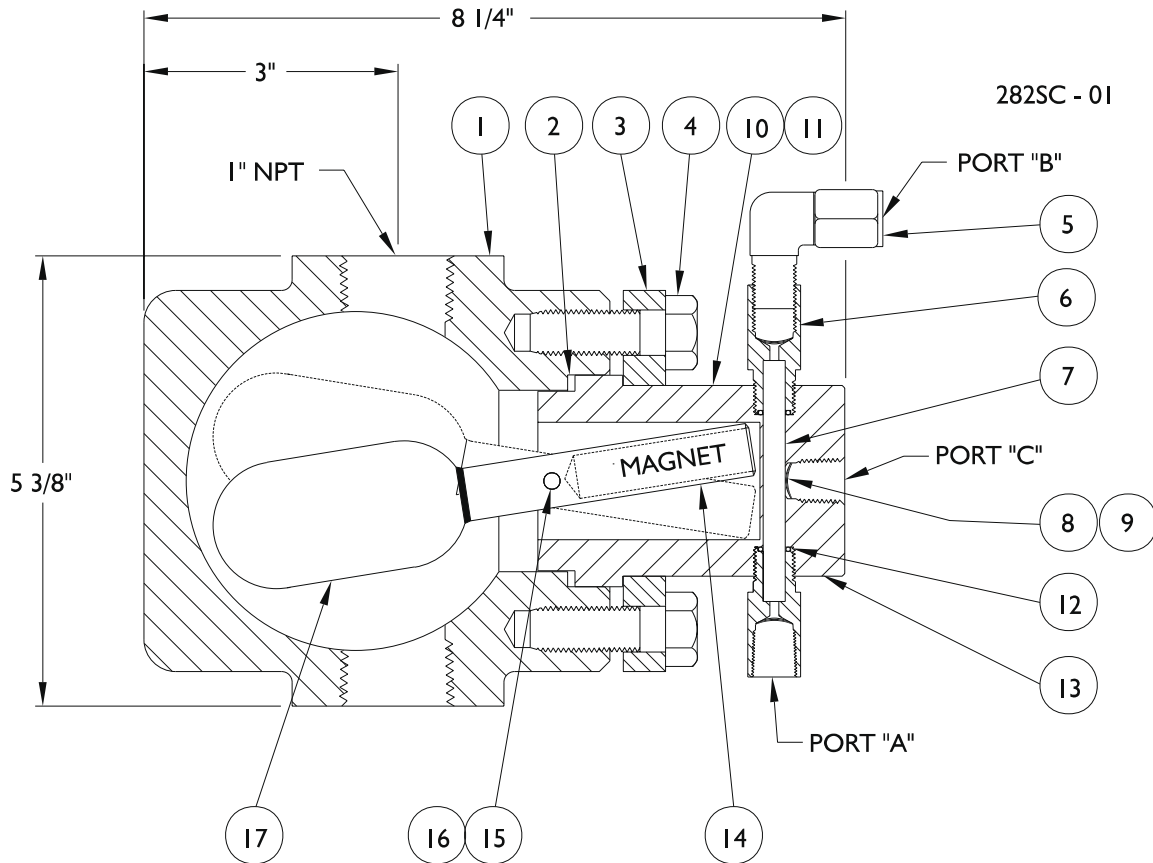
For Direct Acting Operation:
Connect Supply to Port "A"
Connect Output to Port "C"
Port "B" is Vent

For Indirect Acting Operation:
Connect Supply to Port "B"
Connect Output to Port "C"
Port "A" is Vent

LEVEL CONTROL SWITCHES

L I N C - 2 8 2 & 2 8 2 S C S E R I E S

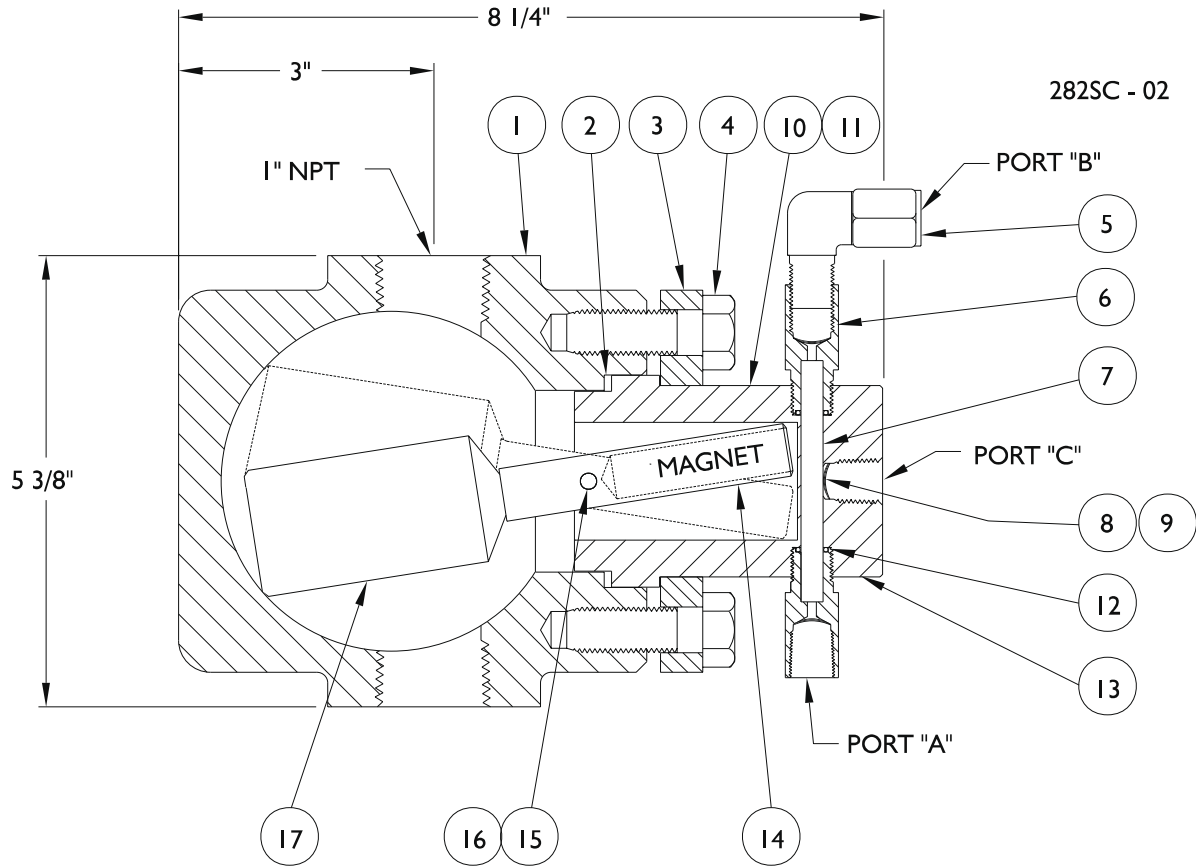
The LINC-282SC Pneumatic Series:
Standard Caged Units, Diagram



LEVEL CONTROL SWITCHES

L I N C - 2 8 2 & 2 8 2 S C S E R I E S

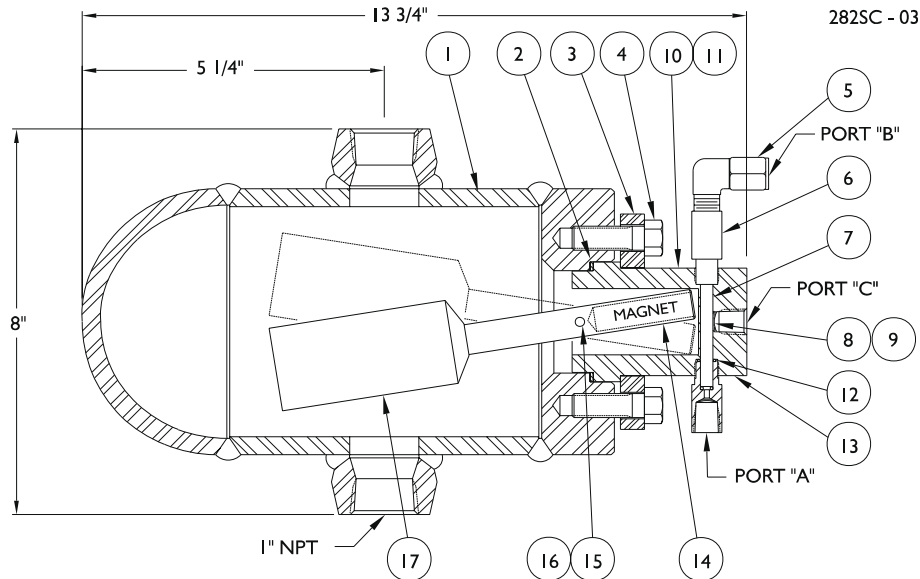
The LINC-282SC Pneumatic Series:
Standard Caged Units, Diagram



LEVEL CONTROL SWITCHES

L I N C - 2 8 2 & 2 8 2 S C S E R I E S

The LINC-282SC Pneumatic Series: Standard Caged Units, Diagram and Parts List



Model Item	282SC-01 Part #	282SC-02 Part #	282SC-03 Part #	Description	Material	Qty
1	40256	40256	43561	Cage	Steel	1
2	11257	11257	11257	Gasket	PTFE	1
3	30258	30258	30258	Ring Flange	Steel	1
4	11216	11216	11216	Cap Screw	Plated, B7	6
5	23339	23339	23339	Vent Assembly	Brass	1
6	22451	22451	22451	Port Adapter	303 ss	2
7	See Chart Below			Switch Cartridge	Sealed	1
8	10403	10403	10403	Retaining Screen	18-8 ss	3
9	11006	11006	11006	Filter	18-8 ss	3
10	10998	10998	10998	Nameplate	316 ss	1
11	10324	10324	10324	Drive Screw	18-8 ss	2
12	10108	10108	10108	O-Ring	Fluorocarbon	2
13	30848	30848	30848	Body	316 ss	1
14	22068	22068	22166	Float/Magnet Arm	316 ss	1
15	20334	20334	20334	Pin	316 ss	1
16	22066	22066	22066	Spacer	316 ss	2
17	10245			Float/Displacer	316 ss	2
		20892	20898	Float/Displacer	Polypropylene	1

Pneumatic Switch Cartridge

Part #	Model Option	Description
22935	-1	0-30 PSI Switch
22936	-2	0-60 PSI Switch
22899	-3	0-100 PSI Switch

All 282 Ports are 1/4" NPT Female.

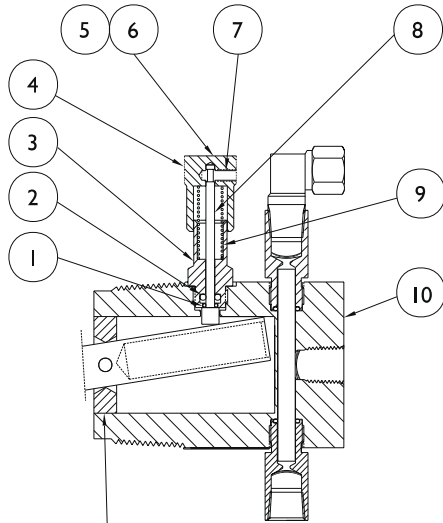
For Direct Acting Operation:
Connect Supply to Port "A"
Connect Output to Port "C"
Port "B" is Vent

For Indirect Acting Operation:
Connect Supply to Port "B"
Connect Output to Port "C"
Port "A" is Vent

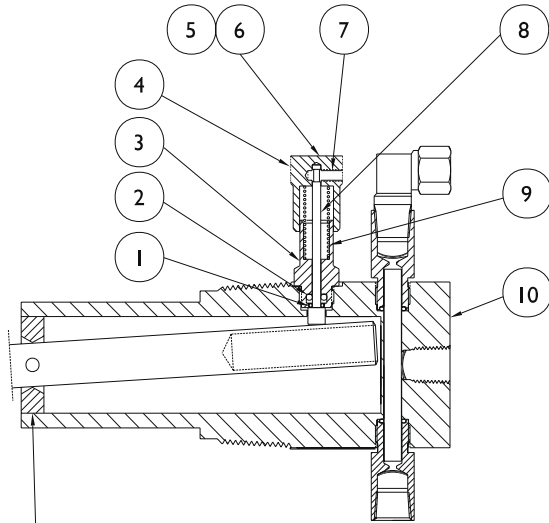
LEVEL CONTROL SWITCHES

LINC - 282 & 282 SC SERIES

The LINC-282 Pneumatic Series:
Manual Override Standard Units & Extended Body,
Diagram and Parts List



ANNULUS PLUG OPTION
SUBSTITUTE PN. 22184
FOR SPACERS



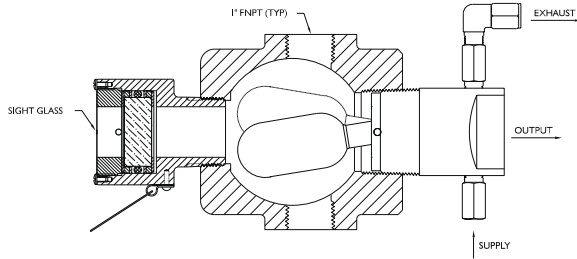
ANNULUS PLUG OPTION
SUBSTITUTE PN. 22184
FOR SPACERS

Model	282-2	282-6, -8			
Item	Part #	Part #	Description	Material	Qty
1	10282	10282	O-Ring	Fluorocarbon	1
2	11139	11139	O-Ring	Fluorocarbon	1
3	24991	24991	Nut, manual override	303 ss	1
4	24993	24993	Knob	303 ss	1
5	11186	11186	Nameplate	316 ss	1
6	10324	10324	Drive Screw	18-8 ss	1
7	11361	11361	Socket Head Screw	316 ss	1
8	24992	24992	Stem	316 ss	1
9	13175	13175	Spring	18-8 ss	1
10	30809	31103	Level Control Body	316 ss	1

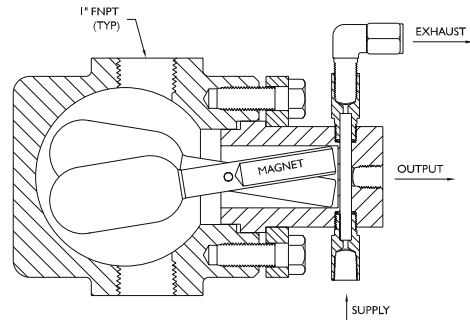
PARTS FOR 282 CONTROLS WITH MANUAL OVERRIDE
OTHER PARTS ARE SAME AS STANDARD UNIT

LEVEL CONTROL SWITCHES

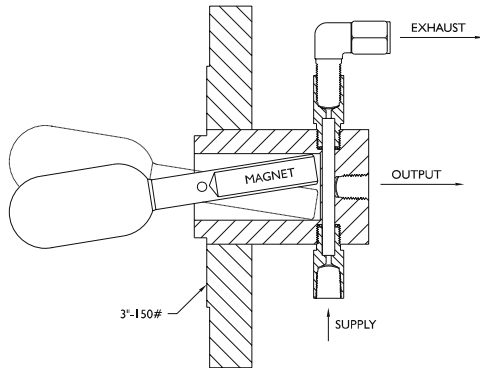
STANDARD UNIT OPTIONS



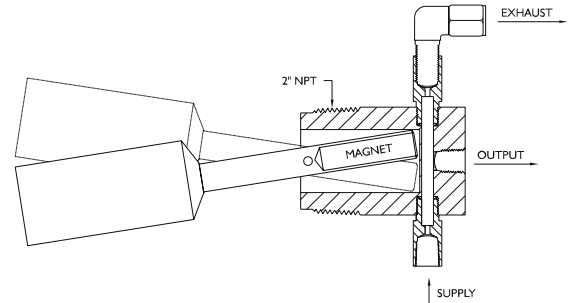
282 & 700 Cage
Compact external cage available in steel or stainless steel.



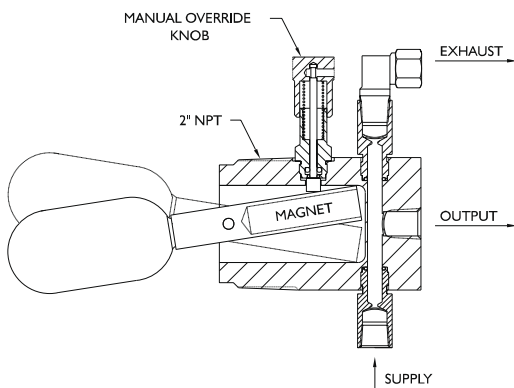
282SC
This rig bolt configuration eliminates the 2" pipe threads on control mount and meets API-RP14E Specifications.



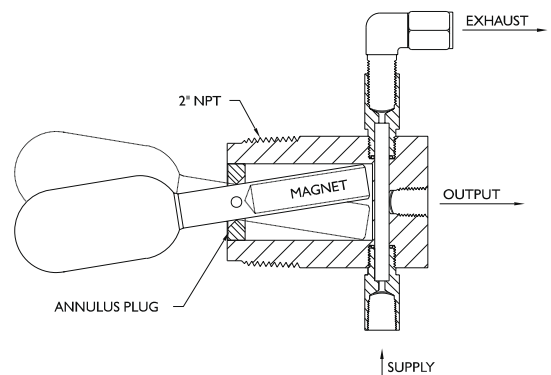
282 Flanged
Flanged units are available in 3" and larger and all pressure ratings.



282-13 Interface
The interface unit will operate in fluids with specific gravity differential as low as 0.1.



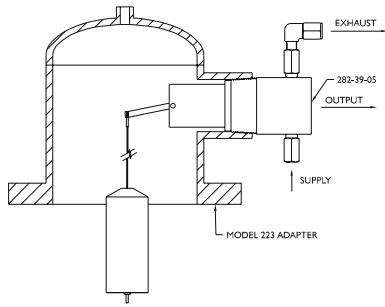
282 Manual Override
Pushing the external knob causes the float arm to move, operating the pneumatic cartridge by manual means.



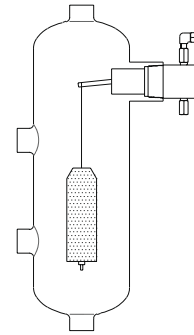
282 Annulus Plug
The Annulus Plug prevents foreign material from getting into the cavity. Available on all models.

LEVEL CONTROL SWITCHES

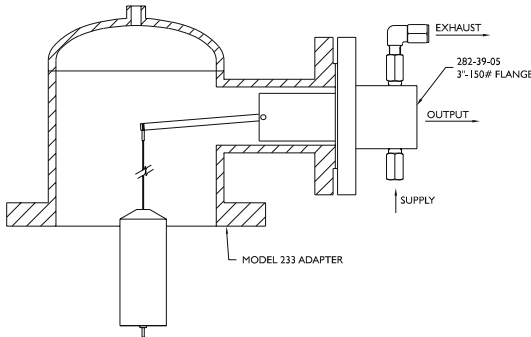
OPTIONAL CONFIGURATIONS



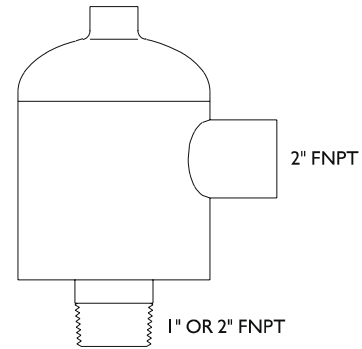
282-39
Allows direct replacement of other manufacturer level control. Patent #4,481,389



Choice of threaded, beveled or flanged connections.

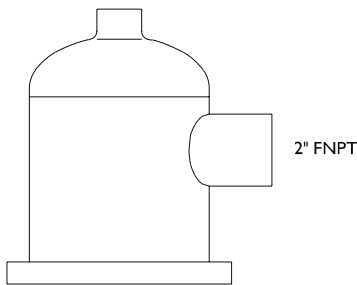


282-39-05 with Model 233 Adaptor

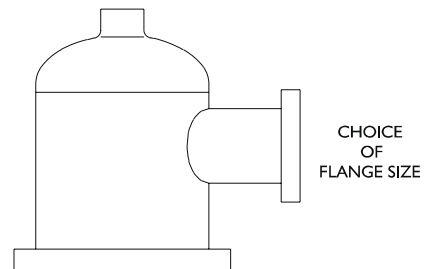


MODEL 221

Model 221



Model 223



Model 233

LEVEL CONTROL SWITCHES

L I N C - 7 0 0 & 3 5 S E R I E S

The LINC-700 Series: External Cage



External Cage

Application:

These cages are used with the LINC-L471 electric, LINC-PT265 and LINC-282 Series pneumatic level controls. Available with or without the LINC 35-Series sight glass. The process connection is a standard 1" NPT. Available in other sizes and options.

Benefits:

- Visual Verification.....
- Lower Operating Costs.....
- Durable.....
- Optional Corrosion Resistant Materials.....

Features:

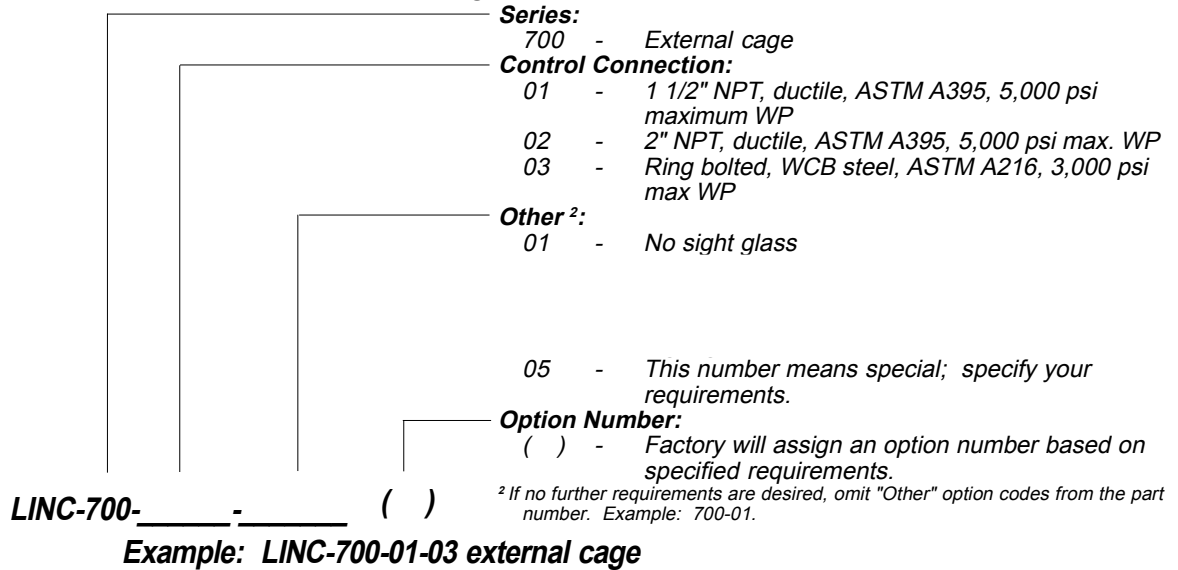
- Of level and control operation with Optional bull's-eye sight glass
- Optional External Cage allows field servicing without tank drain-down
- Standard cast Ductile in the 1" & 1 1/2" NPT cage body, and cast Steel in the Ring Bolted cage body
- 316 Stainless Steel, consult factory for other optional materials

LEVEL CONTROL SWITCHES

L I N C - 7 0 0 & 3 5 S E R I E S

Specifications: 700 Series External Cages	
Series:	700 Series
Working Pressure:	3,000 psi at +100°F
Temperature:	-40°F to +450°F; sight glass option +180°F std. , other avail.
Materials:	Ductile or cast steel std., available in 316 ss and other materials
Connections:	
Process:	1" NPT std., other options
Level Control:	1 1/2" and 2" NPT or ring bolted

Ordering Chart:



LEVEL CONTROL SWITCHES

LINC - NF265 & NF282 SERIES

The LINC-NF265 & NF282 Series: Electric or Pneumatic Flow Indicators



Application:

These flow indicators are used to monitor flow/no flow. The electric or pneumatic output is used to alarm, operate valves, control pumps or perform any desired electrical or pneumatic function.

Operation:

A flowing fluid moves the paddle activating an electric switch or pneumatic output.

Benefits:

- Easy to Repair.....
- No Leaks.....
- Lower Operating Costs.....
- Lower Inventory.....
- Safe.....
- Reliable.....
- Corrosion Resistant.....
- Optional Corrosion Resistant Materials.....

Features:

- Repairs on-site in 20 minutes with the Quick-Change cartridge
- Environmentally-isolated design keeps operational fluids away from electrical circuitry and supply gas
- Quick-Change, inexpensive replacement parts
- Non-Bleed output saves gas
- Pneumatic NF282 provides direct or indirect acting by changing the supply and exhaust ports
- Bi-directional flow through rotating the Electric NF265
- Pneumatic activation in an environmentally-isolated design
- NF265 certified as explosion-proof¹ for Hazardous Locations: Class I, Div. 1, Groups A, B, C, D; Class II, Div. 1, Groups E, F, G; and Class III, Div. 1, by CSA a Nationally Recognized Testing Laboratory in the U.S. and Canada
- Sealed switch cartridge prevents dust, fluids, and corrosion from interfering with electrical circuitry
- Standard 316 Stainless Steel wetted and housing components for corrosion resistance
- Monel, Kynar, Teflon, Teflon Coated, Hastelloy C, PVC, Polypropylene, and Alloy 20

LEVEL CONTROL SWITCHES

LINC - NF265 & NF282 SERIES

Specifications: LINC-NF265 Electric & LINC-NF282 Pneumatic Series Flow Indicators

Output:

NF265 Electric: SPST (SPDT optional), 100 V.A. AC, 100W DC, 3 amp inrush capability, maximum 250 Volts, Hermetically sealed

NF282 Pneumatic: 0 to full supply pressure

Working Pressure: 5,000 psi

Temperature: -40°F to + 400°F standard, with 500°F optional for NF265 model only

Materials: 316 stainless steel is standard, available in other austenitic metals or plastic

Connections (process):

NF265 Electric: 1 1/2" or 2" NPT standard, flanged available

NF282 Pneumatic: 2" NPT standard, 1 1/2 NPT or flanged available

Paddle Length: 1 1/2" standard (for 2" line), available to your specification

Flow Indication: Less than .75 ft/sec indicates no flow; more than 1.0 ft/sec indicates flow

CSA Certification, NF265 only:

Listed as explosion-proof for Class I, Div. 1, Groups A, B, C, D; Class II, Div. 1, Groups E, F, G; and Class III, Div. 1¹

Ordering Chart:

Series:

- NF265 - Electric flow indicator
- NF282 - Pneumatic flow indicator

Body Style:

- 1 - Standard, 1 1/2" NPT (NF265 only)
- 2 - Standard, 2" NPT

Type (NF265 only):

- 1 - Standard, all 316 ss wetted parts
- 3 - Relay assembly¹, general purpose plug-in, 24VDC DPDT 10 Amp
- 4 - Relay assembly¹, general purpose plug-in, 120VAC DPDT 10 Amp
- 8 - Relay assembly¹, hermetically sealed plug-in, 24VDC DPDT 10 Amp
- 9 - Relay assembly¹, hermetically sealed plug-in, 120VAC DPDT 10 Amp

Type, Supply Pressure (NF282 only):

- 3 - 30 PSI maximum, flow rate 40 scfh at 30 PSI
- 6 - 60 PSI maximum, flow rate 25 scfh at 30 PSI
- 8 - 100 PSI maximum, flow rate 15 scfh at 30 PSI

Other²:

- 01 - Standard paddle (1 1/2" in length)
- 02 - Annulus plug
- 05 - Options: additional paddle length, specify your requirements. i.e. 3" flanged 150# RF

Option Number:

- () - Factory will assign an option number based on specified requirements.

¹ When a relay assembly is used, Class I, Div. 1, is limited to Groups C, and D.

² If no further requirements are desired, omit "Other" option codes from the part number.

LINC-_____ - _____ - _____ ()

Example: LINC-NF265-11-05 electric flow indicator

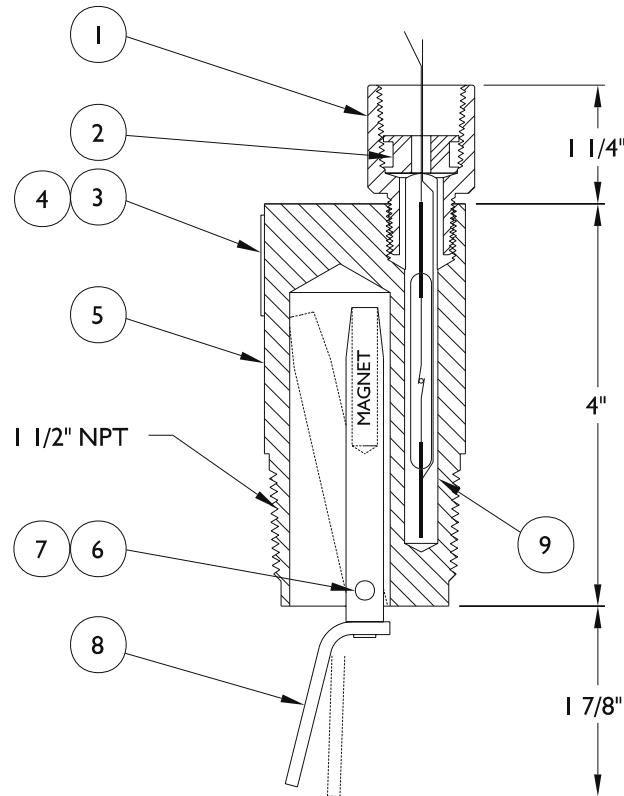
Specify: 3", 150"RF, CS flange, paddle for 3" pipe, 9" from face of flange to CL of pipe run.

LEVEL CONTROL SWITCHES

LINC - NF265 & NF282 SERIES

LINC-NF265 Series: Standard Units, Diagram & Parts List

NF265 - 11



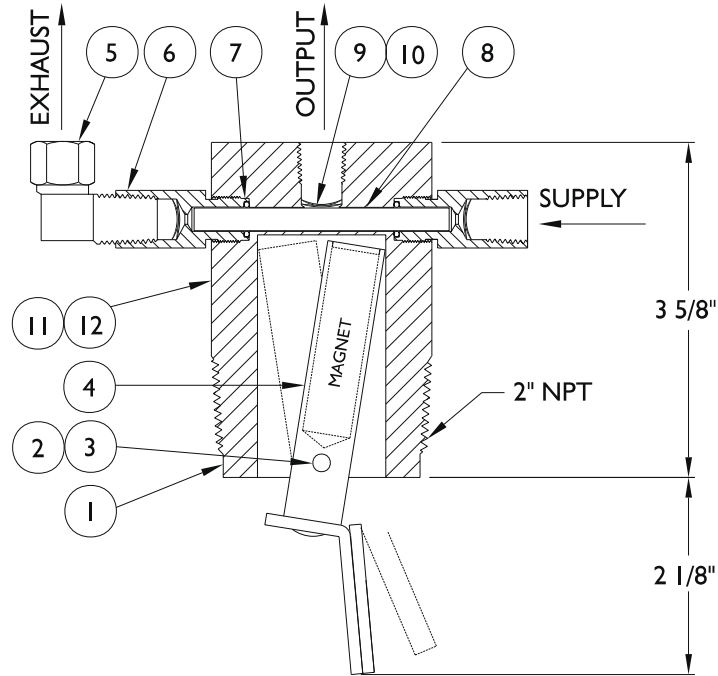
Model	NF265-11	Electric Flow Switch		
Item	Part #	Description	Material	Qty
1	20119	Conduit Adapter	303 ss	1
2	10087	Grommet	Nitrile	1
3	10001	Nameplate	316 ss	1
4	10324	Drive Screw	18-8 ss	2
5	30313	Body	316 ss	1
6	20120	Pin	316 ss	1
7	20121	Spacer	316 ss	2
8	20355	Paddle Arm	316 ss	1
9	See Chart On Page 9	Switch Cartridge	Sealed	1

LEVEL CONTROL SWITCHES

LINC - NF265 & NF282 SERIES

The LINC-NF282 Series:
Standard Units, Diagram & Parts List

NF282 -2I



Model	NF282-2X-01			
Item	Part #	Description	Material	Qty
1	30816	Body	316 ss	1
2	20334	Pin	316 ss	1
3	22066	Spacer	316 ss	2
4	30802	Paddle Arm	316 ss	1
5	20841	Vent Assembly	Brass	4
6	22451	Port Adapter	303 ss	2
7	10108	O-Ring	Fluorocarbon	2
8	22935	Switch Cartridge, 0-30 psi	316 ss	1
	22936	Switch Cartridge, 0-60 psi	316 ss	1
	22899	Switch Cartridge, 0-100 psi	316 ss	1
9	10403	Retaining Screen	18-8 ss	3
10	11006	Filter Screen	18-8 ss	3
11	10998	Nameplate	316 ss	1
12	10324	Drive Screw	18-8 ss	2



3101 Pollok Drive

Conroe, Texas 77303

800.455.LINC

P: 936.788.5593

F: 936.788.5720

Em: Sales@yzhq.com

Web: www.yzsystems.com