

LEVEL CONTROL SWITCHES

LINC - NF265 & NF282 SERIES

The LINC-NF265 & NF282 Series: Electric or Pneumatic Flow Indicators



Application:

These flow indicators are used to monitor flow/no flow. The electric or pneumatic output is used to alarm, operate valves, control pumps or perform any desired electrical or pneumatic function.

Operation:

A flowing fluid moves the paddle activating an electric switch or pneumatic output.

Benefits:

- Easy to Repair.....
- No Leaks.....
- Lower Operating Costs.....
- Lower Inventory.....
- Safe.....

Features:

- Repairs on-site in 20 minutes with the Quick-Change cartridge
- Environmentally-isolated design keeps operational fluids away from electrical circuitry and supply gas
- Quick-Change, inexpensive replacement parts
- Non-Bleed output saves gas
- Pneumatic NF282 provides direct or indirect acting by changing the supply and exhaust ports
- Bi-directional flow through rotating the Electric NF265
- Pneumatic activation in an environmentally-isolated design
- NF265 certified as explosion-proof¹ for Hazardous Locations: Class I, Div. 1, Groups A, B, C, D; Class II, Div. 1, Groups E, F, G; and Class III, Div.1, by CSA a Nationally Recognized Testing Laboratory in the U.S. and Canada
- Sealed switch cartridge prevents dust, fluids, and corrosion from interfering with electrical circuitry
- Standard 316 Stainless Steel wetted and housing components for corrosion resistance
- Monel, Kynar, Teflon, Teflon Coated, Hastelloy C, PVC, Polypropylene, and Alloy 20

LEVEL CONTROL SWITCHES

LINC - NF265 & NF282 SERIES

Specifications: LINC-NF265 Electric & LINC-NF282 Pneumatic Series Flow Indicators

Output:

NF265 Electric: SPST (SPDT optional), 100 V.A. AC, 100W DC, 3 amp inrush capability, maximum 250 Volts, Hermetically sealed

NF282 Pneumatic: 0 to full supply pressure

Working Pressure: 5,000 psi

Temperature: -40°F to + 400°F standard

Materials: 316 stainless steel is standard, available in other austenitic metals or plastic

Connections (process):

NF265 Electric: 1 1/2" or 2" NPT standard, flanged available

NF282 Pneumatic: 2" NPT standard, 1 1/2 NPT or flanged available

Paddle Length: 1 1/2" standard (for 2" line), available to your specification

Flow Indication: Less than .75 ft/sec indicates no flow; more than 1.0 ft/sec indicates flow

CSA Certification, NF265 only:

Listed as explosion-proof for Class I, Div. 1, Groups A, B, C, D; Class II, Div. 1, Groups E, F, G; and Class III, Div. 1¹

Ordering Chart:

Series:

- NF265 - Electric flow indicator
- NF282 - Pneumatic flow indicator

Body Style:

- 1 - Standard, 1 1/2" NPT (NF265 only)
- 2 - Standard, 2" NPT

Type (NF265 only):

- 1 - Standard, all 316 ss wetted parts
- 3 - Relay assembly¹, general purpose plug-in, 24VDC DPDT 10 Amp
- 4 - Relay assembly¹, general purpose plug-in, 120VAC DPDT 10 Amp
- 8 - Relay assembly¹, hermetically sealed plug-in, 24VDC DPDT 10 Amp
- 9 - Relay assembly¹, hermetically sealed plug-in, 120VAC DPDT 10 Amp

Type, Supply Pressure (NF282 only):

- 3 - 30 PSI maximum, flow rate 40 scfh at 30 PSI
- 6 - 60 PSI maximum, flow rate 25 scfh at 30 PSI
- 8 - 100 PSI maximum, flow rate 15 scfh at 30 PSI

Other²:

- 01 - Standard paddle (1 1/2" in length)
- 02 - Annulus plug
- 05 - Options: additional paddle length, specify your requirements. i.e. 3" flanged 150# RF

Option Number:

- () - Factory will assign an option number based on specified requirements.

¹ When a relay assembly is used, Class I, Div. 1, is limited to Groups C, and D.

² If no further requirements are desired, omit "Other" option codes from the part number.

LINC- _____ - _____ - _____ ()

Example: LINC-NF265-11-05 electric flow indicator

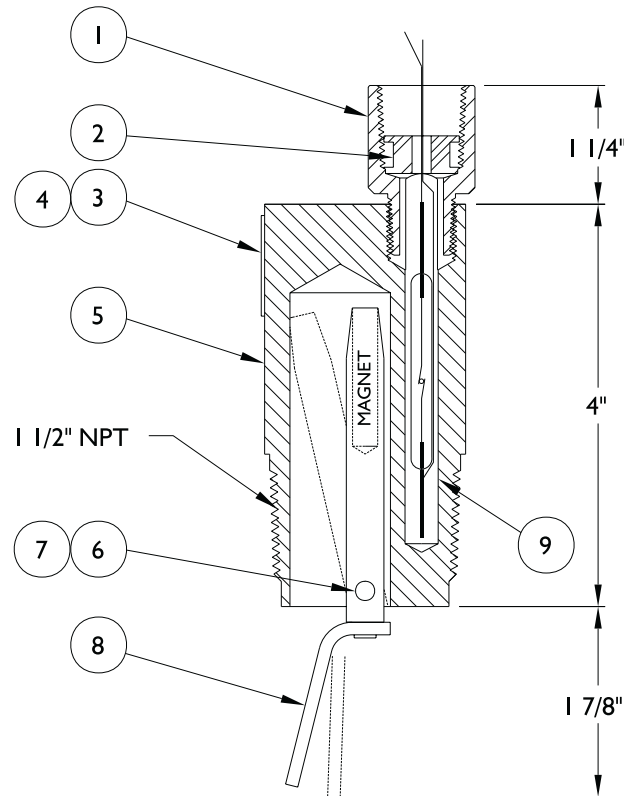
Specify: 3", 150"RF, CS flange, paddle for 3" pipe, 9" from face of flange to CL of pipe run.

LEVEL CONTROL SWITCHES

L I N C - N F 2 6 5 & N F 2 8 2 S E R I E S

**LINC-NF265 Series:
Standard Units, Diagram & Parts List**

NF265 - 11



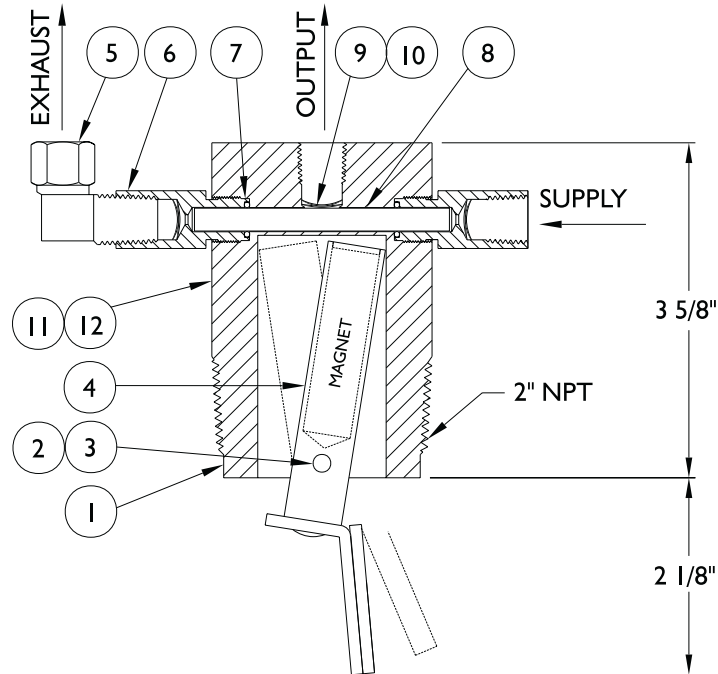
Model	NF265-11	Electric Flow Switch		
Item	Part #	Description	Material	Qty
1	20119	Conduit Adapter	303 ss	1
2	10087	Grommet	Nitrile	1
3	10001	Nameplate	316 ss	1
4	10324	Drive Screw	18-8 ss	2
5	30313	Body	316 ss	1
6	20120	Pin	316 ss	1
7	20121	Spacer	316 ss	2
8	20355	Paddle Arm	316 ss	1
9	See Chart On Page 9	Switch Cartridge	Sealed	1

LEVEL CONTROL SWITCHES

LINC - NF265 & NF282 SERIES

The LINC-NF282 Series:
Standard Units, Diagram & Parts List

NF282 -2I



Model	NF282-2X-01			
Item	Part #	Description	Material	Qty
1	30816	Body	316 ss	1
2	20334	Pin	316 ss	1
3	22066	Spacer	316 ss	2
4	30802	Paddle Arm	316 ss	1
5	20841	Vent Assembly	Brass	4
6	22451	Port Adapter	303 ss	2
7	10108	O-Ring	Fluorocarbon	2
8	22935	Switch Cartridge, 0-30 psi	316 ss	1
	22936	Switch Cartridge, 0-60 psi	316 ss	1
	22899	Switch Cartridge, 0-100 psi	316 ss	1
9	10403	Retaining Screen	18-8 ss	3
10	11006	Filter Screen	18-8 ss	3
11	10998	Nameplate	316 ss	1
12	10324	Drive Screw	18-8 ss	2